

METREL MD 9222
TRMS AC Current Clamp Meter
TRMS AC Stromzangen Messgerät
TRMS AC kleščni multimeter



MD 9222
User Manual
Bedienungsanleitung
Navodilo za uporabo
Version 1.0, Code no. 20 752 586

Distributor:

METREL d.d.

Ljubljanska cesta 77

1354 Horjul

Slovenia

e-mail: metrel@metrel.si

web site: <http://www.metrel.si/>

Metrel GmbH

Mess und Prüftechnik

Orchideenstrasse 24

90542 Eckental -Brand

Germany

E-mail: metrel@metrel.de

Internet: <http://www.metrel.de/>

Metrel UK Ltd.

Test & Measurement

Unit 16, 1st Qtr Business Park

Blenheim Road

Epsom

Surrey

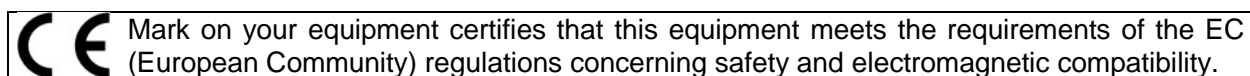
KT19 9QN,

Great Britain

E-mail: info@metrel.co.uk

Internet: <http://www.metrel.co.uk>

© 2015 METREL



No part of this publication may be reproduced or utilized in any form or by any means without permission in writing from METREL.

Table of contents / Inhalt / Vsebina**English**

1 SAFETY.....	4
2 CENELEC DIRECTIVES	6
3 PRODUCT DESCRIPTION	7
4 OPERATION.....	8
5 MAINTENANCE.....	14
6 SPECIFICATIONS.....	15
7 LIMITED WARRANTY	19

Deutsch

1 SICHERHEITSBESTIMMUNGEN	20
2 CENELEC-RICHTLINIEN	22
3 PRODUKTBESCHREIBUNG.....	23
4 BETRIEB	24
5 WARTUNG	31
6 SPEZIFIKATIONEN.....	33
7 EINGESCHRÄNKTE GARANTIE	37

Slovensko

1 VARNOST	38
2 EU DIREKTIVE.....	40
3 OPIS IZDELKA	41
4 DELOVANJE	42
5 VZDRŽEVANJE.....	48
6 TEHNIČNI PODATKI	49
7 GARANCIJSKA IZJAVA	53

1 SAFETY

This manual contains information and warnings that must be followed for operating the instrument safely and maintaining the instrument in a safe operating condition. If the instrument is used in a manner not specified by the manufacturer, the protection provided by the instrument may be impaired.

The meter protection rating, against the users, is double insulation per UL/IEC/EN61010-1 Ed. 3.0, IEC/EN61010-2-033 Ed. 1.0, CAN/CSA C22.2 No. 61010-1 Ed. 3.0, IEC/EN61010-2-032 Ed. 3.0 & IEC/EN61010-031 Ed. 1.1:

Measurement Category III 1000V & Category IV 600V AC & DC.

Per IEC61010-1 (2010) OVERVOLTAGE CATEGORY

OVERVOLTAGE CATEGORY II (CAT II) is for equipment intended to be supplied from the building wiring. It applies both to plug-connected equipment and to PERMANENTLY CONNECTED EQUIPMENT.

OVERVOLTAGE CATEGORY III (CAT III) is for equipment intended to form part of a building wiring installation. Such equipment includes socket outlets, fuse panels, and some MAINS installation control equipment.

OVERVOLTAGE CATEGORY IV (CAT IV) is for equipment installed at or near the origin of the electrical supply to a building, between the building entrance and the main distribution board. Such equipment may include electricity tariff meters and primary overcurrent protection devices.

TERMS IN THIS MANUAL

WARNING identifies conditions and actions that could result in serious injury or even death to the user.

CAUTION identifies conditions and actions that could cause damage or malfunction in the instrument.

WARNING

To reduce the risk of fire or electric shock, do not expose this product to rain or moisture. The meter is intended only for indoor use.

To avoid electrical shock hazard, observe the proper safety precautions when working with voltages above 60 VDC or 30 VAC rms. These voltage levels pose a potential shock hazard to the user. Before and after hazardous voltage measurements, test the voltage function on a known source such as line voltage to determine proper meter functioning.









Keep your hands/fingers behind the hand/finger barriers (of the meter and the test leads) that indicate the limits of safe access of the hand-held part during measurement. Inspect test leads, connectors, and probes for damaged insulation or exposed metal before using the instrument. If any defects are found, replace them immediately. Only use the test lead provided with the equipment or UL Listed Probe Assembly rated CAT III 1000V or better.

This Clamp-on meter is designed to apply around or remove from uninsulated hazardous live conductors. But still, individual protective equipment must be used if hazardous live parts in the installation where measurement is to be carried out could be accessible.

CAUTION

Disconnect the test leads from the test points before changing meter functions.

INTERNATIONAL ELECTRICAL SYMBOLS

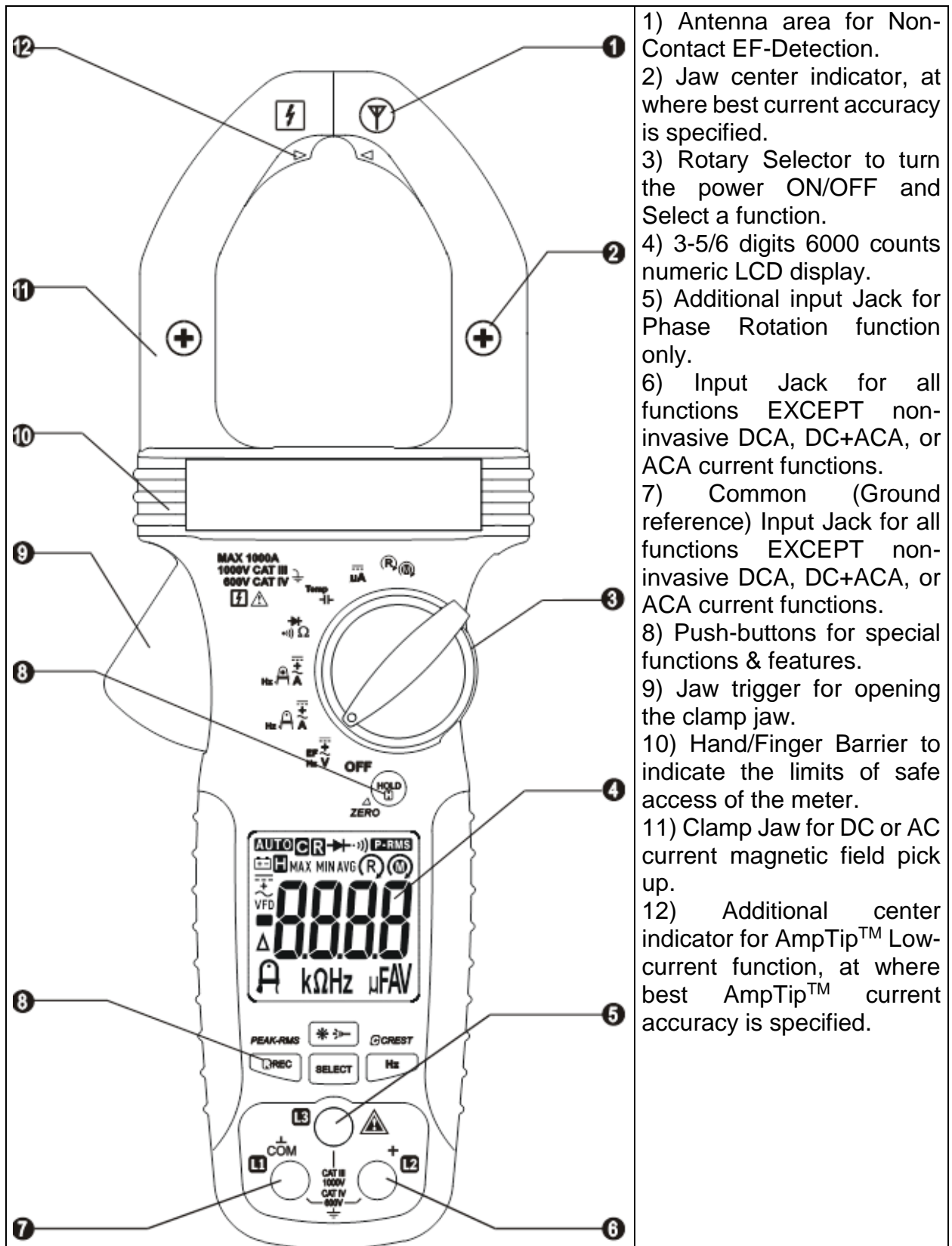
-  Caution! Refer to the explanation in this Manual!
-  Caution! Risk of electric shock!
-  Earth (Ground).
-  Double Insulation or Reinforced insulation.
-  Fuse.
-  AC – Alternating Current.
-  DC – Direct Current.
-  Application around and removal from hazardous live conductors is permitted.

2 CENELEC DIRECTIVES

The instruments conform to CENELEC Low-voltage directive 2006/95/EC and Electromagnetic compatibility directive 2004/108/EC.

3 PRODUCT DESCRIPTION

This user's manual uses only representative model(s) for illustrations. Please refer specification details for function availability to each model.



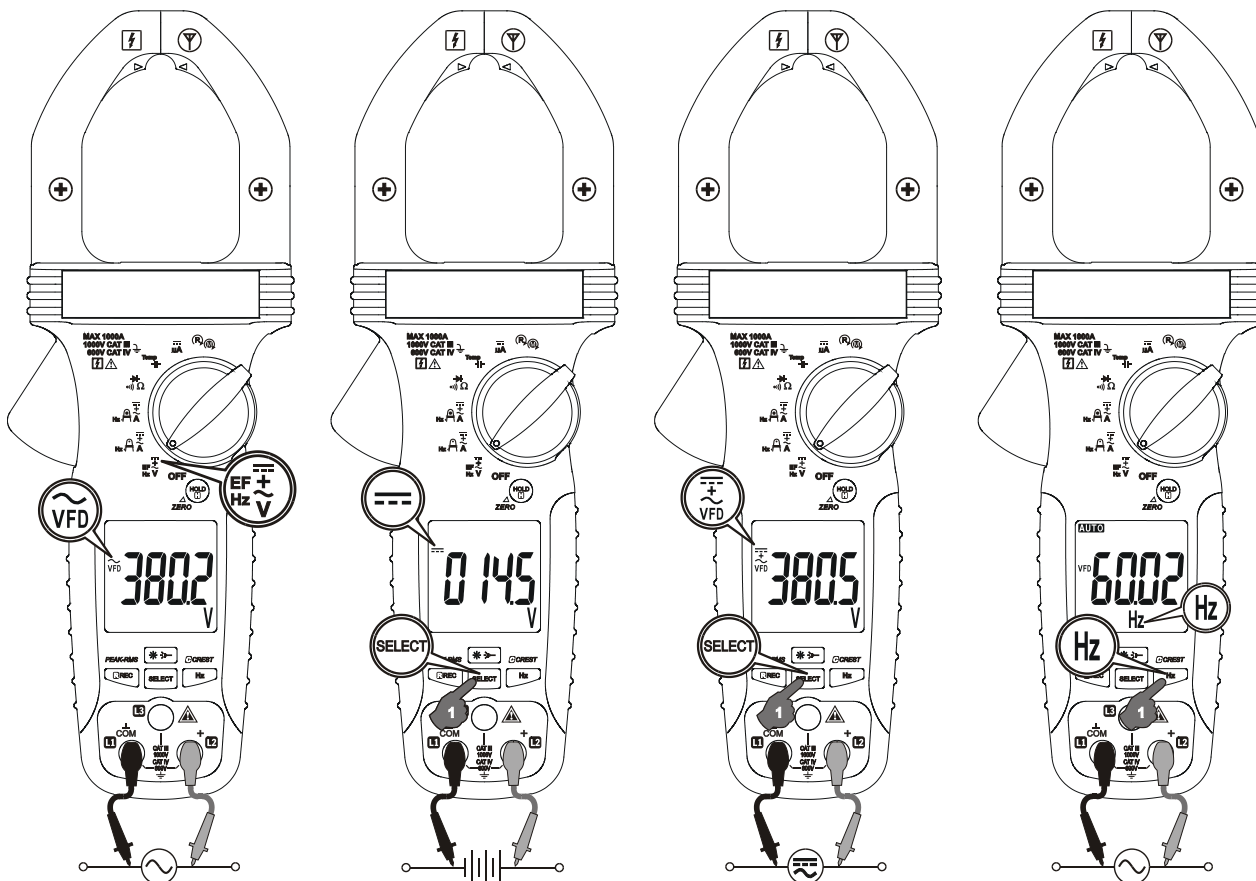
- 1) Antenna area for Non-Contact EF-Detection.
- 2) Jaw center indicator, at where best current accuracy is specified.
- 3) Rotary Selector to turn the power ON/OFF and Select a function.
- 4) 3-5/6 digits 6000 counts numeric LCD display.
- 5) Additional input Jack for Phase Rotation function only.
- 6) Input Jack for all functions EXCEPT non-invasive DCA, DC+ACA, or ACA current functions.
- 7) Common (Ground reference) Input Jack for all functions EXCEPT non-invasive DCA, DC+ACA, or ACA current functions.
- 8) Push-buttons for special functions & features.
- 9) Jaw trigger for opening the clamp jaw.
- 10) Hand/Finger Barrier to indicate the limits of safe access of the meter.
- 11) Clamp Jaw for DC or AC current magnetic field pick up.
- 12) Additional center indicator for AmpTip™ Low-current function, at where best AmpTip™ current accuracy is specified.

4 OPERATION

WARNING: Before and after hazardous voltage measurements, test the voltage function on a known source such as line voltage to determine proper meter functioning.

ACV, DCV, EF (NCV), & Line-level Hz functions

Inputs, other than that of **EF** as described below, are made through the test lead terminals **COM/+**. Press **SELECT** button momentarily to select the subject functions in sequence. Last selection will be saved as power up default for repeat measurement convenience. Press **Hz** button momentarily to toggle the **Line-level Hz** function.

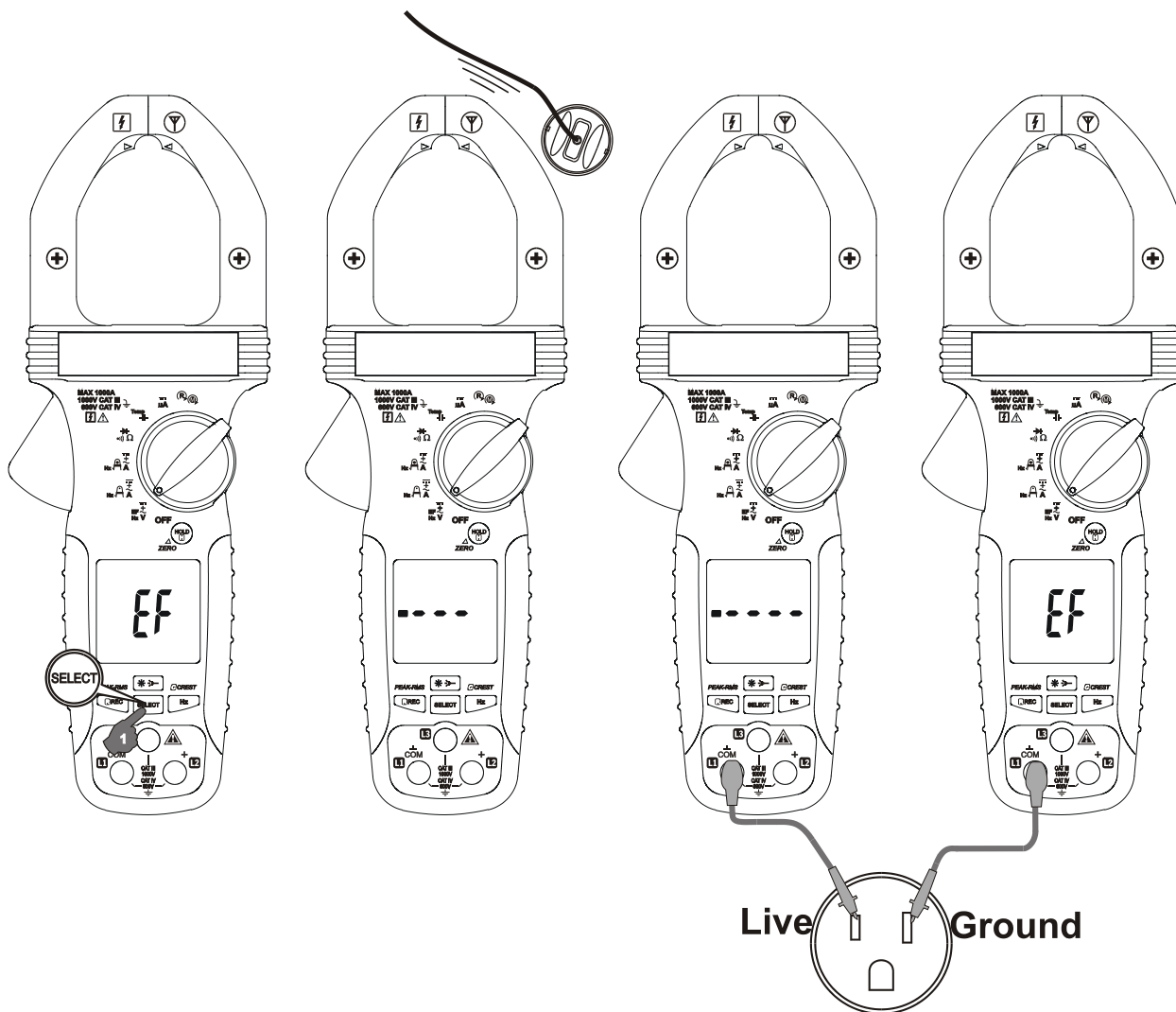


Note

ACV (and hence **Line-level Hz**) function is equipped with digital low-pass filter, and is capable of dealing with **VFD** (Variable Frequency Drives) signals. It also improves ACV reading stability in noisy electrical environments.

Electric Field EF-Detection

The meter displays “**EF**” when it is ready. Signal strength is indicated as a series of bar-graph segments on the display together with variable beep tones.



- **Non-Contact EF-Detection:** An antenna is located along the top-right end of the stationary clamp jaw, which detects electric field surrounds energized conductors. It is ideal for tracing live wiring connections, locating wiring breakage and to distinguish between live or earth connections.
- **Probe-Contact EF-Detection:** For more precise indication of live wires, such as distinguishing between Live and Ground connections, use one single probe to test via terminal **COM** for direct contact EF-Detection with best sensitivity.

CAUTION & WARNING for Non-Invasive (Clamp-on) Current Measurements
CAUTION

(Application and Removal of the Clamp-on Jaws) For non-invasive current measurements, press the jaw trigger and clamp the jaws around conductor(s) of only one single pole of a circuit for load current measurement. Make sure the jaws are completely closed, or else it will introduce measurement errors. Enclosing conductor(s) of more than one pole of a circuit may result in differential current (like identifying leakage current) measurement. Align the conductor(s) to the Jaws center indicators (Regular or AmpTip™ indicators where applicable) as much as possible to get the best measuring accuracy. For removal, press the jaw trigger and remove the jaws from the conductor(s).

Adjacent current-carrying devices such as transformers, motors and conductor wires may affect measurement accuracy. Keep the jaws away from them as much as possible to minimize influence.

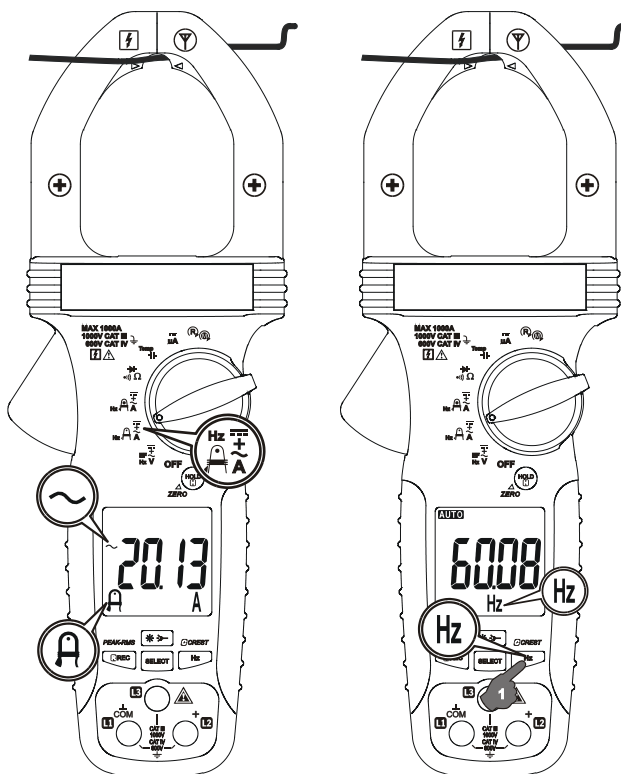
WARNING

Do not use the meter to measure currents above the rated frequency (400Hz). Circulating currents may cause the magnetic circuits of the Jaws reach a hazardous temperature.

Non-Invasive AmpTip™ Low-Current Functions

ACA & Hz

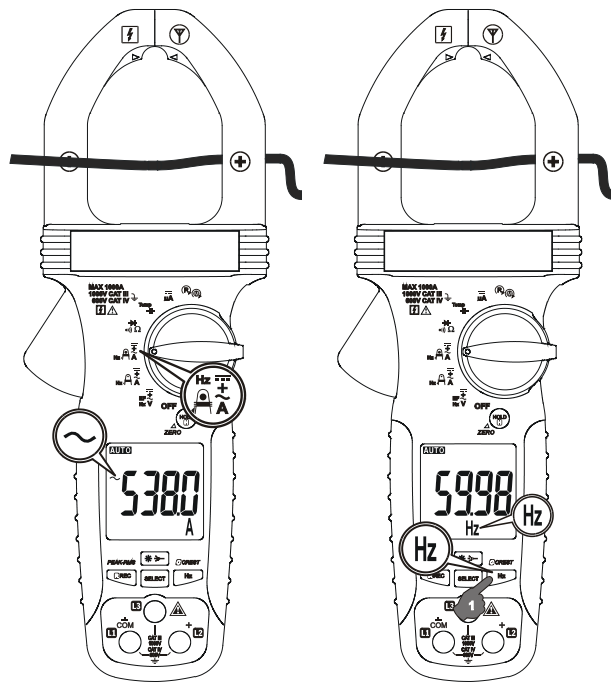
Input is made via the clamp jaws with best accuracy specified near the jaw tip area for small conductors low-current measurements. Press **SELECT** button momentarily to select the subject functions in sequence. Last selection will be saved as power up default for repeat measurement convenience. Press Hz button momentarily to toggle the Hz function.



Non-Invasive Regular Current Functions

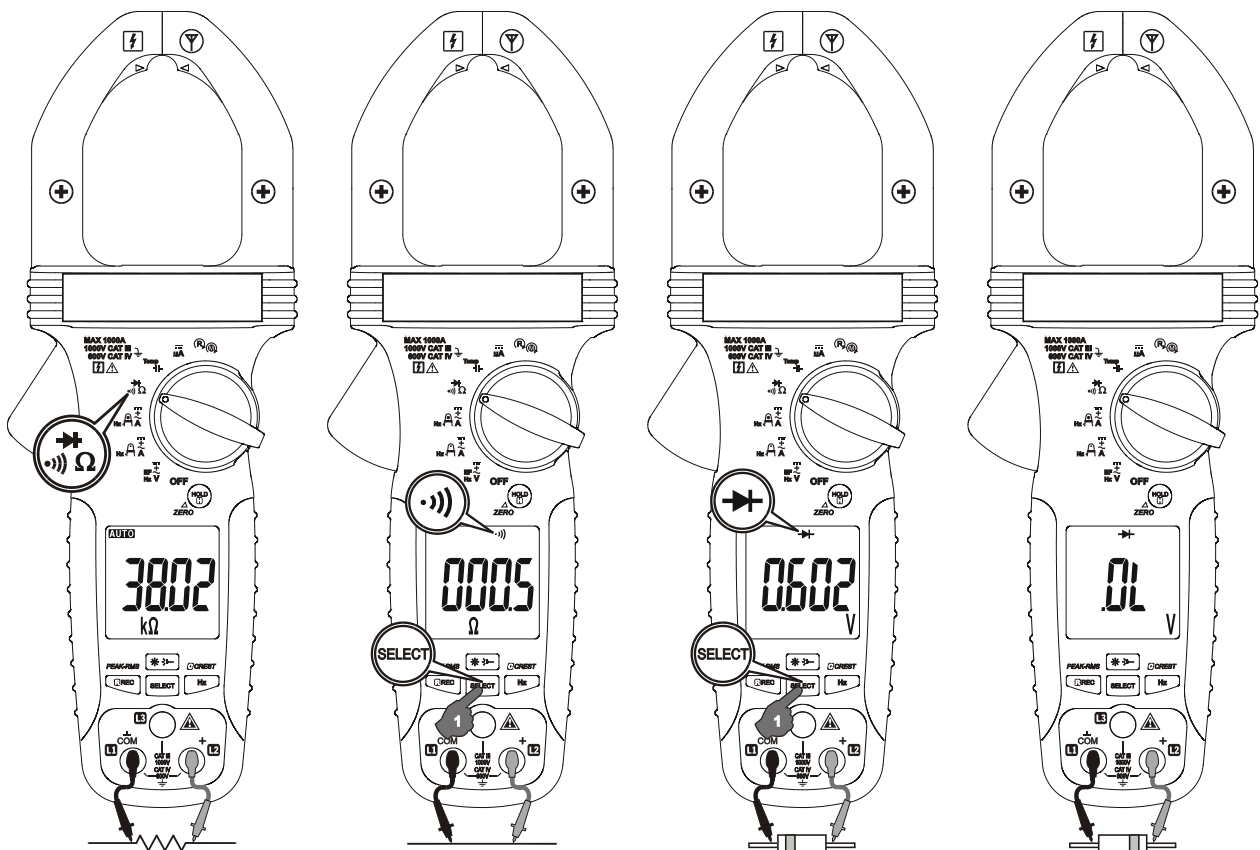
ACA & Hz

Input is made via the clamp jaws with best accuracy specified at the jaw center for regular current measurements. Press **SELECT** button momentarily to select the subject functions in sequence. Last selection will be saved as power up default for repeat measurement convenience. Press Hz button momentarily to toggle the Hz function.



Ω Resistance, $\cdot\cdot\cdot$ Continuity & \rightarrow Diode functions

Inputs are made through the test lead terminals **COM/+**. Press **SELECT** button momentarily to select the subject functions in sequence. Last selection will be saved as power up default for repeat measurement convenience.



Note

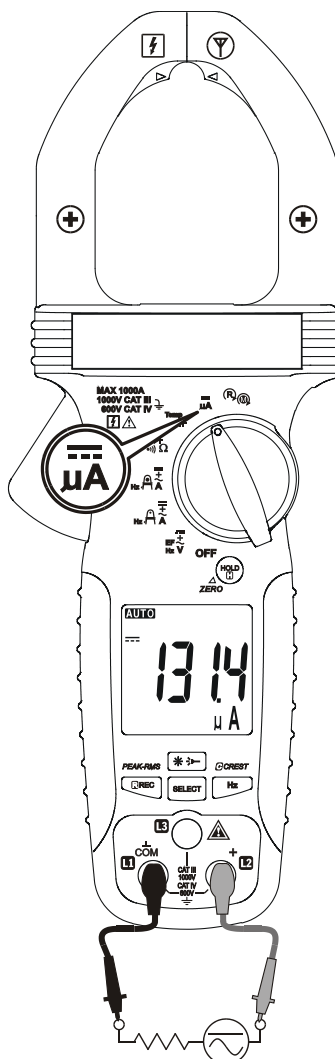
When using Diode test function, normal forward voltage drop (forward biased) for a good silicon diode is between 0.400V to 0.900V. A reading higher than that indicates a leaky diode (defective). A zero reading indicates a shorted diode (defective). An OL indicates an open diode (defective). Reverse the test leads connections (reverse biased) across the diode. The digital display shows OL if the diode is good. Any other readings indicate the diode is resistive or shorted (defective).

CAUTION

Using Resistance, Continuity or Diode function in a live circuit will produce false results and may damage the meter. In many cases the suspected component(s) must be disconnected from the circuit to obtain an accurate measurement reading.

⚡ Capacitance function

Inputs are made through the test lead terminals **COM/+**. Last selection will be saved as power up default for repeat measurement convenience. Press **SELECT** button momentarily to select the subject functions in sequence.



CAUTION

1. Using Capacitance function in a live circuit will produce false results and may damage the meter. In many cases the suspected component(s) must be disconnected from the circuit to obtain an accurate measurement reading.
2. When using Capacitance function, discharge capacitor(s) before making any measurements. Large value capacitors should be discharged through an appropriate resistance load.

Using the Complementary Beeper feature

The Complementary Beeper feature is selected in Power-up option. Press and hold the **REC** button while turning the meter on to enable. If the segments indicate a clockwise movement, the beeper sounds a single long beep per segment cycle. If the segments indicate a counter clockwise movement, the beeper sounds 3 short beeps per segment cycle.

Hold

Hold feature freezes the display for later view. LCD "H" turns on. Press the HOLD button momentarily to toggle the hold feature.

Record mode

Press **REC** button momentarily to activate MAX/MIN/AVG recording mode. LCD "R" & "MAX MIN AVG" turn on. The meter beeps when new MAX (maximum) or MIN (minimum) reading is updated. AVG (Average) reading is calculated over time. Press the button momentarily to read the MAX, MIN and AVG readings in sequence. Press the button for 1 second or more to exit this mode. Auto-Power-Off is disabled automatically in this mode.

Relative-Zero (Δ) mode

Relative-Zero allows the user to offset the meter consecutive measurements with the main display displaying reading as the reference value. LCD " Δ " turns on. Press the **(HOLD)** button for one second or more to toggle Relative-Zero mode.

Backlighted LCD display

Press the "*" button momentarily to toggle the LCD backlight ON and OFF. The backlight will also be turned off automatically after 32 seconds to extend battery life.

Intelligent Auto-Power-Off (APO)

The Auto-Power-off (APO) mode turns the meter off automatically to extend battery life after approximately 32 minutes of no specified activities, where applicable:

- 1) Rotary switch or push button operations.
- 2) Significant measuring readings of above 8.5% of ranges.
- 3) Non-OL readings for Resistance, Continuity or Diode function.
- 4) Non-zero readings for Hz function.
- 5) Significant movement indication as in Phase Rotation functions.

In other words, the meter will intelligently avoid entering the APO mode when it is under normal measurements. To wake up the meter from APO, press the **SELECT** button momentarily or turn the rotary switch OFF and then back on. Always turn the rotary switch to the OFF position when the meter is not in use.

5 MAINTENANCE

WARNING

To avoid electrical shock, disconnect the meter from any circuit, remove the test leads from the input jacks and turn OFF the meter before opening the case. Do not operate with open case.

Trouble Shooting

If the instrument fails to operate, check batteries and test leads etc., and replace as necessary. Double check operating procedure as described in this user's manual.

If the instrument voltage-resistance input terminal has subjected to high voltage transient (caused by lightning or switching surge to the system under test) by accident or abnormal conditions of operation, the protective impedance components in series might be blown off (become high impedance) like open fuses to protect the user and the instrument. Most measuring functions through this terminal might then be open circuit. Such components should only be replaced by qualified technician. Refer to the **LIMITED WARRANTY** section for obtaining warranty or repairing service.

Accuracy and Calibration

Accuracy is specified for a period of one year after calibration. Periodic calibration at intervals of one year is recommended to maintain meter accuracy. Refer to the LIMITED WARRANTY section for obtaining calibration, repairing or warranty service.

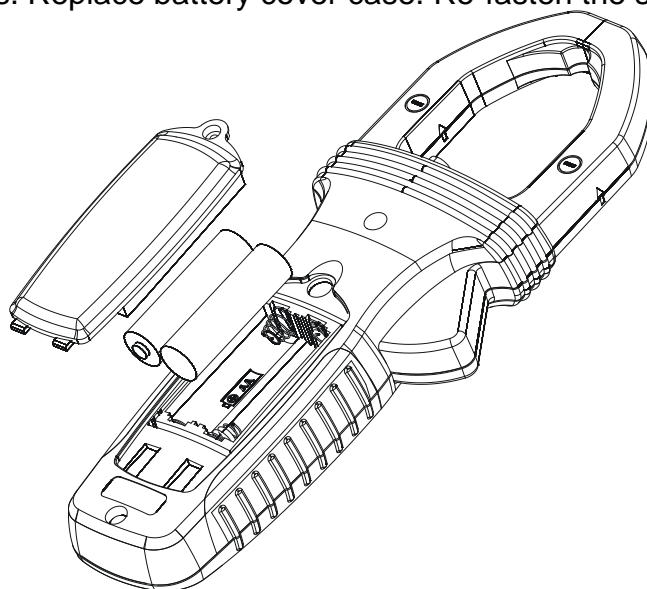
Cleaning and Storage

Periodically wipe the case with a damp cloth and mild detergent; do not use abrasives or solvents. If the meter is not to be used for periods of longer than 60 days, remove the batteries and store them separately.

Battery replacement

The meter uses standard 1.5V AA Size (IEC R6) battery X 2.

Loosen the 2 captive screws from the battery cover case. Lift the battery cover case. Replace the batteries. Replace battery cover case. Re-fasten the screws.



6 SPECIFICATIONS

GENERAL SPECIFICATIONS

Display	3-5/6 digits 6000 counts.
Polarity	Automatic.
Update Rate	5 per second nominal.
Operating Temperature	-10 °C to 50 °C
Relative Humidity	Non condensing (≤ 10 °C) $\leq 90\%$ RH (at 10 ~ 30 °C) $\leq 75\%$ RH (at 30 ~ 40 °C) $\leq 45\%$ RH (at 40 ~ 50 °C)
Pollution degree	2
Storage Temperature	-20°C to 60 °C, < 80% R.H. (with battery removed).
Altitude	Operating below 2000 m; Storage below 12000 m.
Temperature Coefficient	Nominal 0,310 x (specified accuracy)/ °C @(-10 °C – 18 °C or 28 °C – 50 °C), or otherwise specified.
Sensing Safety	True RMS. Double insulation per UL/IEC/EN61010-1 Ed. 3.0, IEC/EN61010-2-033 Ed. 1.0, CAN/CSA C22.2 No. 61010-1 Ed. 3.0, IEC/EN61010-2-032 Ed. 3.0 & IEC/EN61010-031 Ed. 1.1 to CAT III 1000V and CAT IV 600V AC & DC.
Transient Protection	8.0 kV (1.2/50 μ s surge).
Overload Protections	<ul style="list-style-type: none"> • Current & Hz functions via jaws: 1000 ADC/AAC rms at < 400 Hz. • Voltage & 3-Phase Rotation functions via terminals: 1100 VDC/VAC rms. • Other functions via terminals: 1000 VDC/VAC rms.
E.M.C.	Meets EN61326-1:2006 (EN55022, EN61000-3-2, EN61000-3-3, EN61000-4-2, EN61000-4-3, EN61000-4-4, , EN61000-4-5, EN61000-4-6, EN61000-4-8, EN61000-4-11): <ul style="list-style-type: none"> • ACA, DCA, and DC+ACA Functions, in an RF field of 1 V/m: Total Accuracy = Specified Accuracy + 60 digits at around 200MHz~350MHz • Ohm and DC μA Functions, in an RF field of 1 V/m: Total Accuracy = Specified Accuracy + 80 digits • Other Functions, in an RF field of 3 V/m: Total Accuracy = Specified Accuracy + 20 digits
Power Supply	1,5 V AAA Size battery X 2.
Power Consumption	4,3 mA
Low Battery	Below approx. 2.85V for Capacitance & Hz. Below approx. 2.5 V for other functions.
APO Timing	Idle for 32 minutes.
APO Consumption	5 μ A typical.
Dimension (LxWxH)	258 x 94 x 44 mm.
Weight	312 g
Jaw opening & Conductor diameter	51 mm max.

Accessories	Test lead set, User's manual, Soft carrying pouch.
Special Features	AmpTip™ low-current range; MAX/MIN/AVG Recording mode; Display Hold; EF-Detection (NCV); Backlighted LCD, Relative-Zero.

ELECTRICAL SPECIFICATIONS

Accuracy is \pm (% reading digits + number of digits) or otherwise specified, at **23 °C \pm 5 °C**. Maximum Crest Factor **< 2.5 : 1** at full scale & **< 5 : 1** at half scale or otherwise specified, and with frequency spectrum not exceeding the specified frequency bandwidth for non-sinusoidal waveforms.

DC Voltage

RANGE	Accuracy
600,0 V, 1000 V	0.8% + 5d

Input Impedance: 10M Ω , 100pF nominal.

AC Voltage (with Digital Low-Pass Filter)

RANGE	Accuracy
50 Hz ~ 60 Hz	
600,0 V, 1000 V	0.8% + 5d
20 Hz ~ 200 Hz	
600,0 V, 1000 V	1.5% + 5d
200 Hz ~ 400 Hz	
600,0 V, 1000 V	10% + 5d

Input Impedance: 10M Ω , 100 pF nominal.

CREST (Peak-Hold)

Accuracy: Add 250 digits to specified accuracy for changes > 5 ms.

Audible Continuity Tester

Audible Threshold: At between 10 Ω and 250 Ω .

Response time: 32 ms approx.

Ohm

RANGE	Accuracy
600,0 Ω , 6.000 k Ω , 60,00 k Ω	1.0% + 5d

Open Circuit Voltage: 1,0 VDC typical.

Capacitance

RANGE	Accuracy ¹⁾
200,0 μ F, 2500 μ F	2,0% + 4d

¹⁾ Accuracies with film capacitor or better.

Diode Tester

RANGE	Accuracy
2,000 V	1.5% + 5d

Test Current: 0,3 mA typically.

Open Circuit Voltage: < 3,5 VDC typically.

AmpTip™ clamp-on ACA

RANGE	Accuracy ^{1) 2) 3)}
40 Hz ~ 100 Hz	
00,00 A ~ 20,00 A	1,5% + 5d
20,00 A ~ 60,00 A	3,0% + 5d
100 Hz ~ 400 Hz	
00,00 A ~ 20,00 A	2,0% + 5d
20,00 A ~ 60,00 A	3,0% + 5d

1) Induced error from adjacent current-carrying conductor: < 0.06 A/A.

2) Specified with Relative Zero Δ mode applied to offset the non-zero residual readings, if any.

3) Add 10d to the specified accuracy @ < 4 A.

Regular Clamp-on ACA

RANGE	Accuracy ^{1) 2)}
40 Hz ~ 100 Hz	
60,00 A ³⁾ , 600,0 A, 1000 A ⁴⁾	1.8% + 5d
100 Hz ~ 400 Hz	
60,00 A ³⁾ , 600,0 A, 1000 A ⁴⁾	2.2% + 5d

1) Induced error from adjacent current-carrying conductor: < 0.06 A/A.

2) Specified accuracy is for measurements made at the jaw center. When the conductor is not positioned at the jaw center, add 2% to specified accuracy for position errors.

3) Add 10d to specified accuracy @ < 6 A.

4) Maximum Crest Factor < 1.4 : 1 at full scale & < 2.8 : 1 at half scale.

Hz Line Level Frequency

Function	Sensitivity ¹⁾ (Sine RMS)	Range
600 V, 1000V	50 V	5,00 Hz ~ 999,9 Hz
60 A (AmpTip™)	40 A	40,00 Hz ~ 400,0 Hz
60 A, 600 A, 1000 A	40 A	40.00Hz ~ 400,0 Hz

Accuracy: 1%+5d.

1) DC-bias, if any, not more than 50% of Sine RMS.

Non-Contact EF-Detection

Typical Voltage	Bar-Graph Indication
20 V (tolerance: 10 V ~ 36 V)	-
55 V (tolerance: 23 V ~ 83 V)	--
110 V (tolerance: 59 V ~ 165 V)	---
220 V (tolerance: 124 V ~ 330 V)	----
440 V (tolerance: 250 V ~ 1000 V)	-----

Indication: Bar-graph segments & audible beep tones proportional to the field strength.

Detection Frequency: 50/60Hz.

Detection Antenna: Inside the top side of the stationary jaw.

Probe-Contact EF-Detection: For more precise indication of live wires, such as distinguishing between live and ground connections, use one single probe to test via terminal COM for direct contact EF-Detection with best sensitivity.

7 LIMITED WARRANTY

METREL warrants to the original product purchaser that each product it manufactures will be free from defects in material and workmanship under normal use and service within a period of one year from the date of purchase. METREL's warranty does not apply to accessories, fuses, fusible resistors, spark gaps, varistors, batteries or any product which, in METREL's opinion, has been misused, altered, neglected, or damaged by accident or abnormal conditions of operation or handling.

To obtain warranty service, contact your nearest METREL authorized agent or send the product, with proof of purchase and description of the difficulty, postage and insurance prepaid, to METREL d.d. METREL assumes no risk for damage in transit. METREL will, at its option, repair or replace the defective product free of charge. However, if METREL determines that the failure was caused by misused, altered, neglected, or damaged by accident or abnormal conditions of operation or handling, you will be billed for the repair.

THIS WARRANTY IS EXCLUSIVE AND IS IN LIEU OF ALL OTHER WARRANTIES, EXPRESSED OR IMPLIED, INCLUDING BUT NOT LIMITED TO ANY IMPLIED WARRANTY OR MERCHANTABILITY OR FITNESS FOR A PARTICULAR PURPOSE OR USE. METREL WILL NOT BE LIABLE FOR ANY SPECIAL, INDIRECT, INCIDENTAL OR CONSEQUENTIAL DAMAGES.

<http://www.metrel.co.uk>



PRINTED ON RECYCLABLE PAPER, PLEASE RECYCLE

1 SICHERHEITSBESTIMMUNGEN

Diese Anleitung enthält Informationen und Warnhinweise, die für einen sicheren Betrieb des Messgeräts und sichere Betriebsbedingungen beachtet werden müssen. Wenn das Messgerät nicht wie vom Hersteller vorgeschrieben verwendet wird, kann der Schutz, den das Messgerät während des Betriebs bietet, nicht aufrecht erhalten werden.

Das Messgerät erfüllt die Anforderungen zur Schutzisolierung nach UL/IEC/EN61010-1 Ed. 3.0, IEC/EN61010-2-033 Ed. 1.0, CAN/CSA C22.2 No. 61010-1 Ed. 3.0, IEC/EN61010-2-032 Ed. 3.0, IEC/EN61010-031 Ed. 1,1:

Messkategorie III 1000V & Kategorie IV 600V AC & DC.

Gemäß IEC 61010-1 (2010) ÜBERSPANNUNGSKATEGORIE

ÜBERSPANNUNGSKATEGORIE II (CAT II) gilt für energieverbrauchende Geräte, die von der festen Installation gespeist werden müssen. Dies gilt sowohl für steckbar angeschlossene Geräte und DAUERHAFT angeschlossene Geräte.

ÜBERSPANNUNGSKATEGORIE III (CAT III) gilt für Geräte in der festen Gebäudeinstallation. Solche Einrichtungen sind z.B. Steckdosen, Sicherungsverteiler und Steuerungstechnik in der Netzinstallation.

ÜBERSPANNUNGSKATEGORIE IV (CAT IV) gilt für Betriebsmittel die auf oder nahe dem Ursprung der elektrischen Versorgung zu einem Gebäude, zwischen der Gebäudezuführung und der Hauptverteilung installiert sind. Solche Geräte können Stromtarifzähler und primäre Überstromschutzeinrichtungen sein.

BEGRIFFE IN DIESER ANLEITUNG

WARNUNG Gibt Bedingungen oder Aktivitäten an, die zu schweren Verletzungen oder sogar zum Tod des Anwenders führen könnten.

VORSICHT Gibt Bedingungen oder Aktivitäten an, die Beschädigungen oder Fehlfunktionen des Geräts verursachen könnten.

WARNUNG

Um die Gefahr vor Feuer oder elektrischen Schlag zu reduzieren, sollte dieses Produkt nicht im Regen oder Feuchtigkeit verwendet werden. Das Messgerät ist nur für den Gebrauch in Innenräumen bestimmt.

Um Stromschlaggefahr zu vermeiden, beachten Sie die angemessenen Sicherheitsmaßnahmen bei Arbeiten an Spannungen über 60 VDC oder 30 Veff. Diese Spannungspegel stellen eine mögliche Stromschlaggefahr für den Anwender dar. Führen Sie vor und nach Messungen gefährlicher Spannungen einen Test an bekannten Spannungsquellen durch (z.B. Netzspannung), um zu prüfen, ob das Messgerät korrekt funktioniert.

Bleiben Sie mit Ihren Händen/Fingern hinter den Hand-/Fingerbarrieren (des Messgeräts und der Prüflleitungen), diese stellen die Grenze des Bereichs der sicheren Handhabung von Handmessgeräten dar. Prüfen Sie vor der Verwendung des Geräts die Prüflleitungen, Steckverbinder und Sonden auf beschädigte Isolierung oder frei liegendes Metall. Wenn

Sie defekte Teile finden, wechseln Sie die Teile sofort aus. Verwenden Sie nur Messleitungen die mit dem Gerät geliefert wurden, oder UL gelistete Messleitungen gemäß CAT III 1000 V oder besser.

Dieses Stromzangen Messgerät ist so ausgeführt, dass sie um gefährliche, unisolierte stromführende Leitungen angebracht oder davon abgenommen werden kann. Dennoch müssen persönliche Schutzeinrichtungen verwendet werden, wenn gefährliche Spannung führende Teile in der Anlage zugänglich sein könnten, in der gemessen werden soll.

VORSICHT

Trennen Sie die Prüfleitungen von den Prüfpunkten bevor Sie die Messfunktionen ändern.

INTERNATIONALE ELEKTRISCHE SYMBOLE

Vorsicht! Siehe Erklärungen in dieser Anleitung!



Vorsicht! Gefahr durch Stromschlag!



Erde (Ground).



Doppelte Isolierung oder Schutzisolierung.



Sicherung.



AC – Wechselstrom.



DC – Gleichstrom.



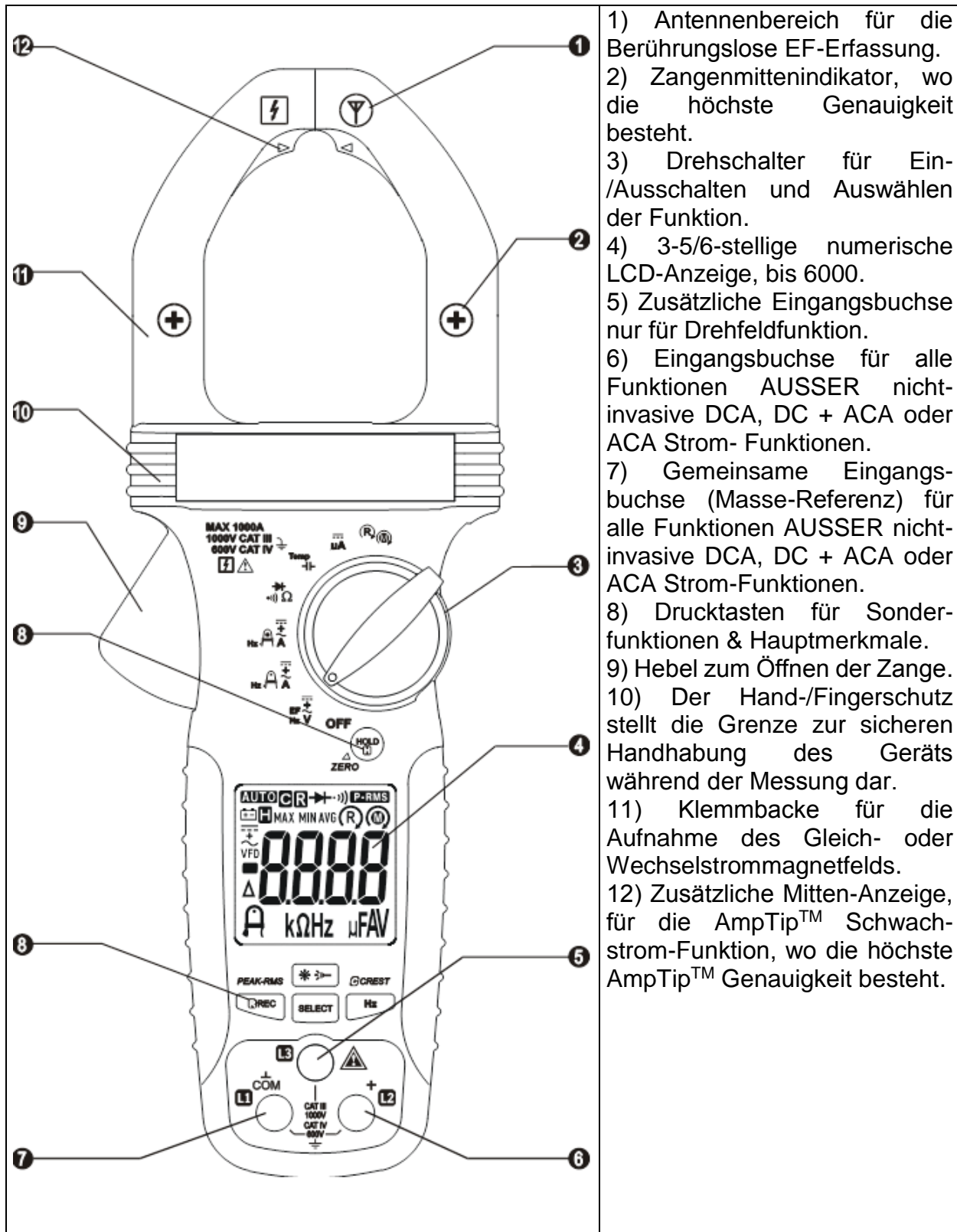
Der Anschluss an und das Entfernen von gefährlichen, stromführenden Leitern ist erlaubt.

2 CENELEC-RICHTLINIEN

Die Instrumente entsprechen der CENELEC-Niederspannungsrichtlinie 2006/95/EC und der Richtlinie „Elektromagnetische Verträglichkeit“ 2004/108/EC.

3 PRODUKTBESCHREIBUNG

Diese Bedienungsanleitung verwendet repräsentative Modell(e) nur zur Illustration. Bitte schauen Sie in den Einzelheiten der Spezifikation nach, welche Funktionen für jedes Modell zur Verfügung stehen.



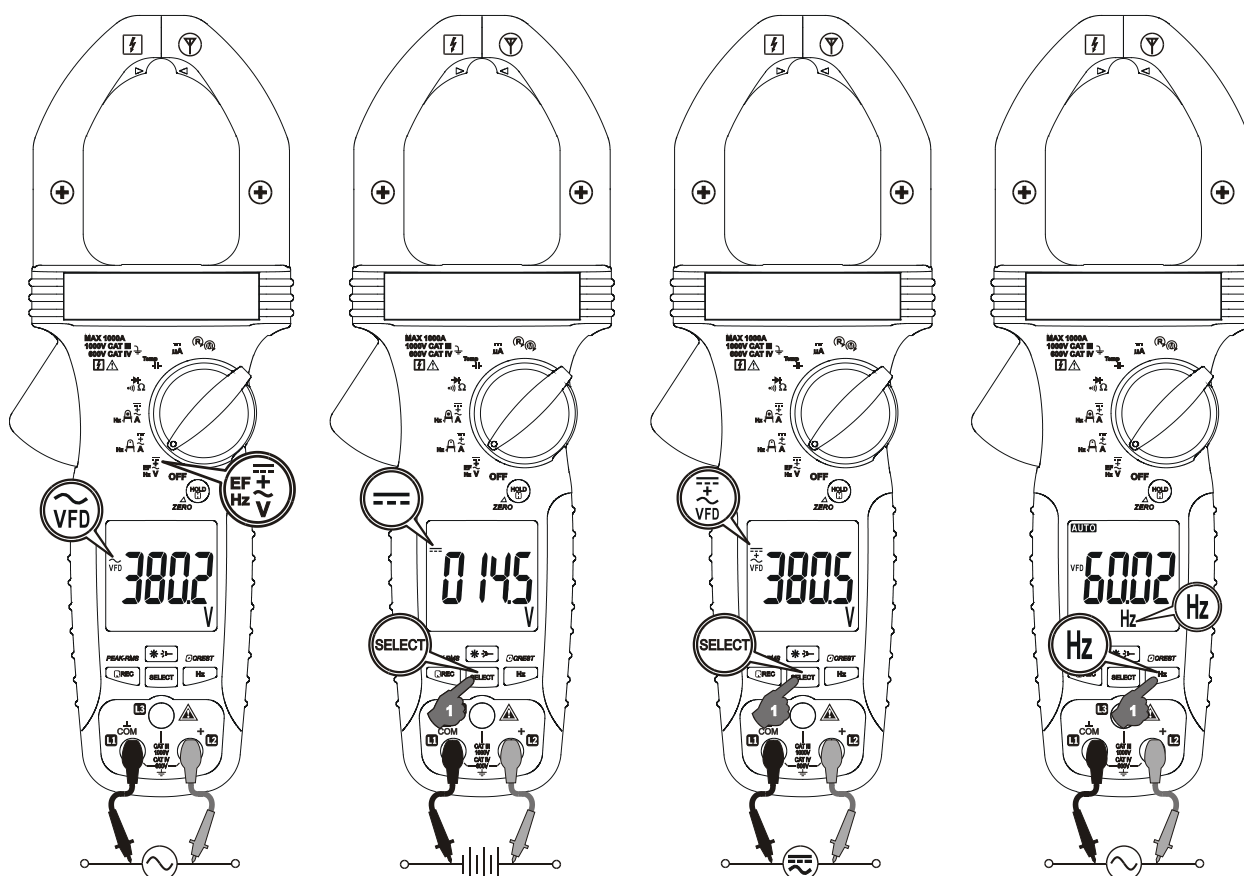
- 1) Antennenbereich für die Berührungslose EF-Erfassung.
- 2) Zangenmittenindikator, wo die höchste Genauigkeit besteht.
- 3) Drehschalter für Ein-/Aus-switchen und Auswählen der Funktion.
- 4) 3-5/6-stellige numerische LCD-Anzeige, bis 6000.
- 5) Zusätzliche Eingangsbuchse nur für Drehfeldfunktion.
- 6) Eingangsbuchse für alle Funktionen AUSSER nicht-invasive DCA, DC + ACA oder ACA Strom- Funktionen.
- 7) Gemeinsame Eingangsbuchse (Masse-Referenz) für alle Funktionen AUSSER nicht-invasive DCA, DC + ACA oder ACA Strom-Funktionen.
- 8) Drucktasten für Sonderfunktionen & Hauptmerkmale.
- 9) Hebel zum Öffnen der Zange.
- 10) Der Hand-/Fingerschutz stellt die Grenze zur sicheren Handhabung des Geräts während der Messung dar.
- 11) Klemmbacke für die Aufnahme des Gleich- oder Wechselstrommagnetfelds.
- 12) Zusätzliche Mitten-Anzeige, für die AmpTip™ Schwachstrom-Funktion, wo die höchste AmpTip™ Genauigkeit besteht.

4 BETRIEB

WARNUNG: Führen Sie vor und nach Messungen gefährlicher Spannungen einen Test an bekannten Spannungsquellen durch (z.B. Netzspannung), um zu prüfen, ob das Messgerät korrekt funktioniert.

ACV, DCV, EF (NCV), & Leitungspegel Hz Funktionen

Die Eingangssignale, außer EF, wie unten beschrieben, werden über Eingangsbuchsen **COM/+** zugeführt. Drücken Sie kurz die **SELECT**-Taste um nacheinander die Funktionen dieser Gruppe auszuwählen. Die letzte Auswahl wird des Komforts halber bei wiederholten Messungen als Einschaltstandard abgespeichert. Drücken Sie kurz die **Hz**-Taste um die **Leitungspegel Hz** Funktion zu wechseln.

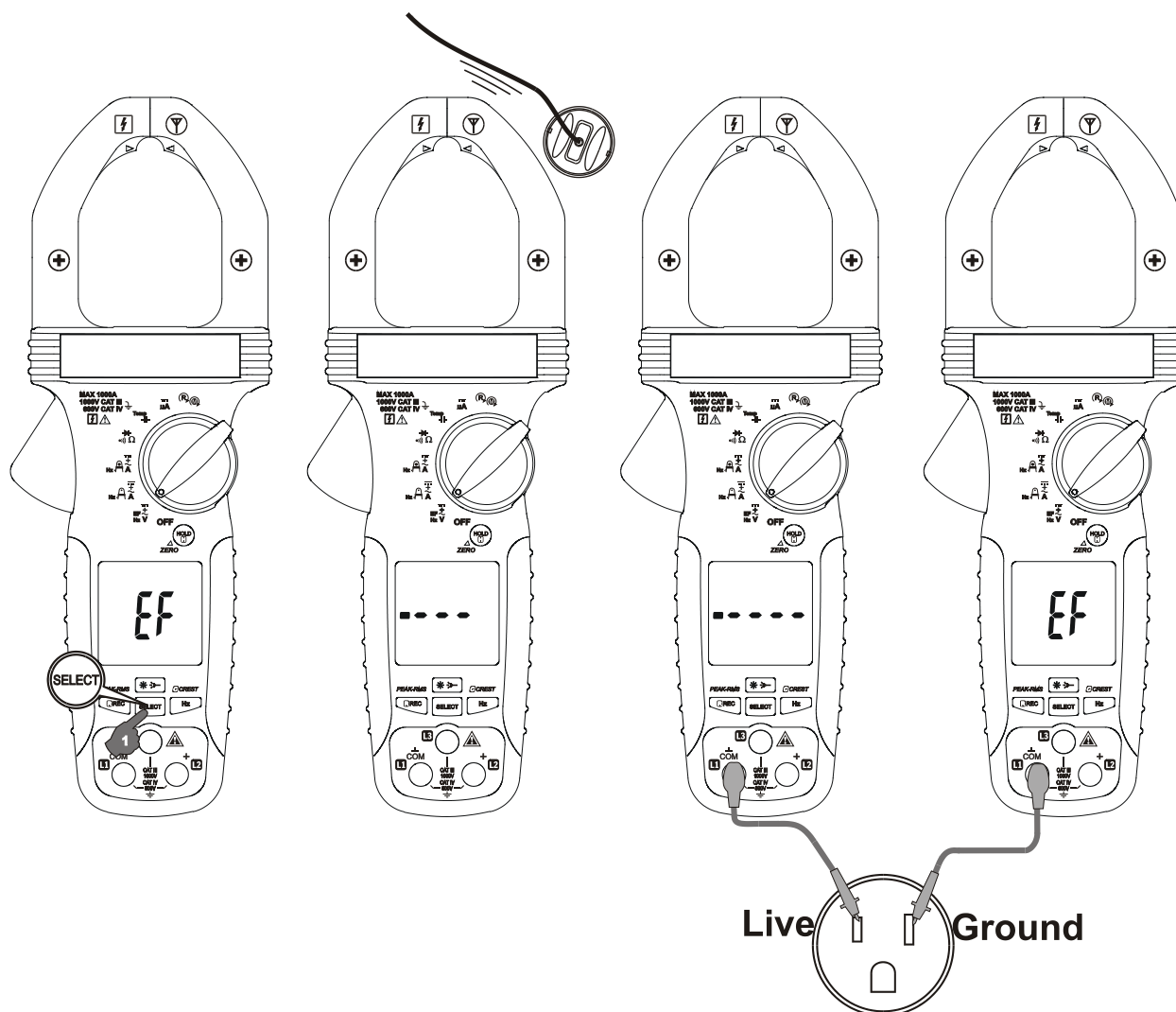


Hinweis

Die Funktion **ACV** (und damit die **Leitungspegel Hz**) ist mit einem digitalen Tiefpassfilter ausgestattet, und kann somit VFD (Variable Frequency Drives) Signale erkennen. Es verbessert auch die Stabilität der ACV Anzeige in störfeldbehafteten Umgebungen.

Erfassung eines elektrischen Feldes (EF)

Das Messgerät zeigt „EF“ an, sobald es bereit ist. Die Signalstärke wird in mehreren Balkendiagramm-Segmenten auf dem Display und zusätzlichen, unterschiedlichen Pieptönen angezeigt.



- **Kontaktfreie EF-Erfassung:** Entlang dem oberen rechten Ende der stationären Klemmbanke befindet sich eine Antenne, die elektrische Felder um stromführende Leiter erfasst. Somit können stromführende Kabelverbindungen, Kabelbrüche gefunden oder zwischen Spannungs bzw. Masse-Verbindungen unterschieden werden.
- **EF-Erfassung mit Sondenkontakt:** Wenn Sie genauere Angaben zu den stromführenden Kabeln z.B. zur Unterscheidung zwischen Spannungs- und Masseverbindungen (Ground) möchten, verwenden Sie eine Sonde am Anschluss **COM** für direkte EF-Erkennung mit bester Empfindlichkeit.

Achtung und Warnung für nicht-invasive (Stromzange) Strommessungen VORSICHT

(Anlegen und Entfernen der Stromzange) Drücken Sie den Hebel zum Öffnen der Zange, wenn Sie nicht-invasive Wechselstrommessungen durchführen möchten klemmen Sie die Leitungen zwischen die Backen, und für Laststrommessungen verwenden Sie nur einen Leiter des Stromkreises. Stellen Sie sicher, dass die Backen vollständig verschlossen sind, da sonst Messfehler auftreten. Wenn mehr als ein Leiter eines Stromkreises gegriffen wird, führt dies zu Stromdifferenzmessungen (ähnlich der Identifizierung von Ableitstrom). Platzieren Sie den (die) Leiter so nah wie möglich in die Mitte der Zange (Regular oder AmpTip™ Indikatoren wenn zutreffend), um eine

bestmögliche Messgenauigkeit zu erzielen. Wenn Sie die Zange wieder entfernen wollen, drücken Sie den Zangenhebel und nehmen Sie die Zangenbacken vom der Leitung weg.

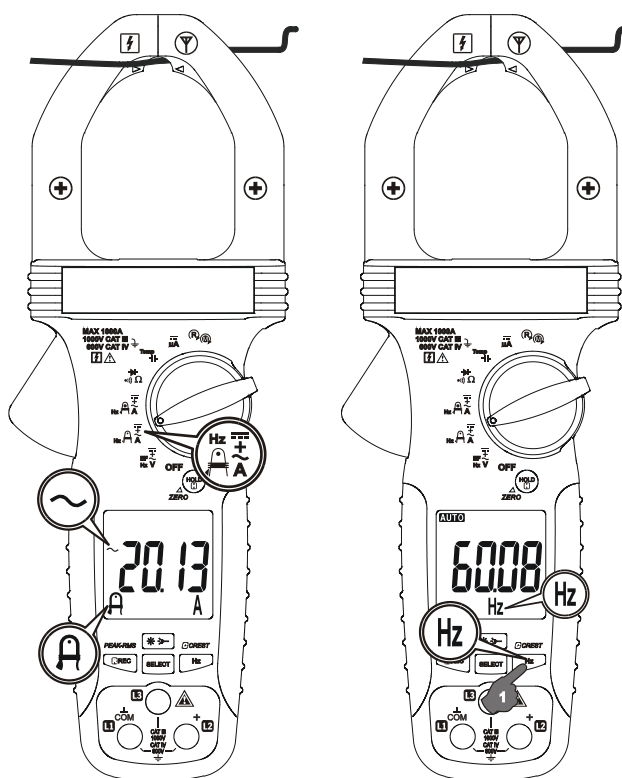
Nebenstehende stromführende Geräte wie Transformatoren, Motoren und Kabelbeeinträchtigen die Messgenauigkeit. Halten Sie die Zange so weit wie möglich weg von diesen Geräten, um die Beeinträchtigung zu minimieren.

WARNUNG

Verwenden Sie das Messgerät nicht um Ströme über der Nennfrequenz (400 Hz) zu messen. Zirkulierende Ströme können bewirken, dass die Magnetkreise der Backen eine gefährliche Temperatur erreichen.

Nicht-invasive AmpTip™ Schwachstromfunktionen ACA & Hz

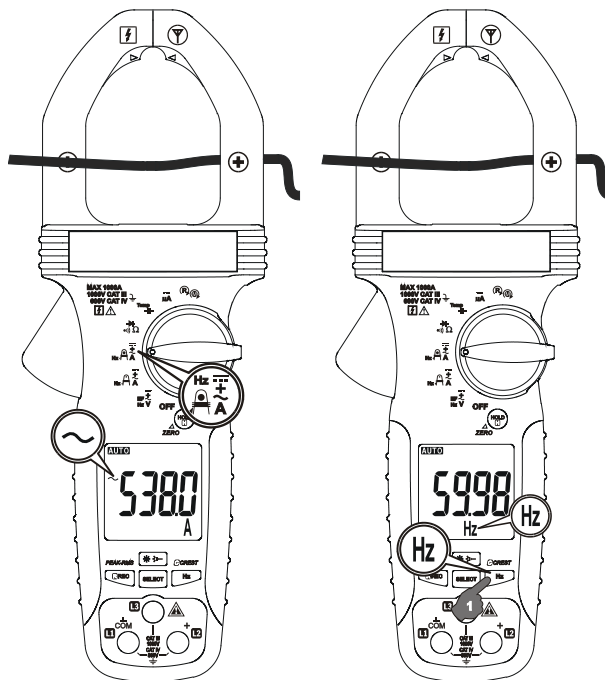
Das Eingangssignal für die Schwachstrommessungen bei Leitungen mit kleinem Durchmesser wird über die Klemmenbacken im Bereich mit der besten Genauigkeit nahe der Backenspitzen aufgenommen. Drücken Sie kurz die **SELECT**-Taste um nacheinander die Funktionen dieser Gruppe auszuwählen. Die letzte Auswahl wird des Komforts halber bei wiederholten Messungen als Einschaltstandard abgespeichert. Drücken Sie kurz die Hz-Taste um zu der Hz Funktion zu wechseln.



Nicht-invasive Normale Stromfunktionen ACA & Hz

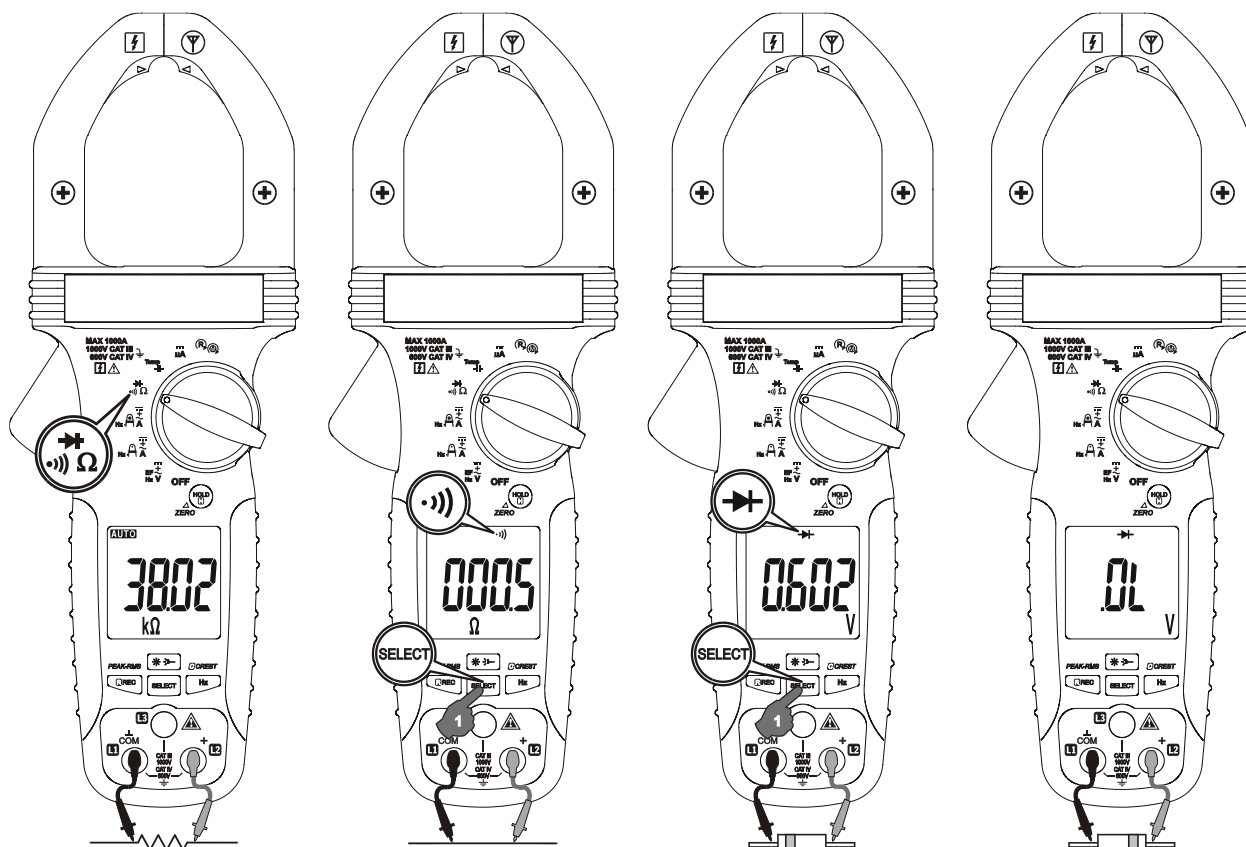
Das Eingangssignal für die Schwachstrommessungen bei Leitungen mit kleinem Durchmesser wird über die Klemmenbacken im Bereich mit der besten Genauigkeit nahe der Backenspitzen aufgenommen. Drücken Sie kurz die **SELECT**-Taste um nacheinander die Funktionen dieser Gruppe auszuwählen. Die letzte Auswahl wird des

Komforts halber bei wiederholten Messungen als Einschaltstandard abgespeichert. Drücken Sie kurz die Hz-Taste um zu der Hz Funktion zu wechseln.



Ω Widerstand-, \rightarrow) Durchgangs- & \rightarrow Diodenfunktionen

Die Eingangssignale werden über Eingangsbuchsen **COM/+** zugeführt. Drücken Sie kurz die **SELECT**-Taste um nacheinander die Funktionen dieser Gruppe auszuwählen. Die letzte Auswahl wird des Komforts halber bei wiederholten Messungen als Einschaltstandard abgespeichert.



Hinweis

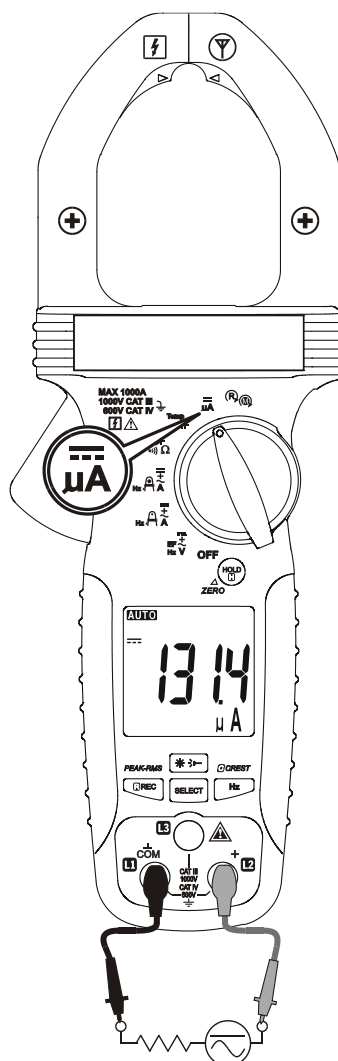
Wenn Sie die Dioden-Prüffunktion verwenden, liegt ein normaler Wert für die Vorwärtsspannung einer guten Silizium-Diode zwischen 0,4 V bis 0,9 V. Sollte ein höherer Ablesewert als dieser auftreten, liegt eine defekte Diode vor (Diode defekt). Sollte der Ablesewert Null lauten, so liegt ein Kurzschluss vor (Diode defekt) OL deutet auf eine offene Diode hin (Diode defekt). Vertauschen Sie die Prüfleitungsanschlüsse (Sperrspannung) des Flusses durch die Diode. Das Display zeigt nun OL an, wenn die Diode funktionstüchtig ist. Alle anderen Ablesewerte deuten auf eine resistive oder kurzgeschlossene Diode hin (defekt).

VORSICHT

Wenn die Widerstands-, kontinuierliche Durchgangs-, Dioden- und Kapazitätsfunktionen in einem spannungsführenden Stromkreis verwendet werden, kann dies zu falschen Ergebnissen und Schäden am Messgerät führen. In vielen Fällen muss die wahrscheinlich fehlerhafte Komponente vom Stromkreis getrennt werden, um ein genaues Messergebnis zu erhalten.

⚡ Kapazität Funktion

Die Eingangssignale werden über Eingangsbuchsen **COM/+** zugeführt. Die letzte Auswahl wird des Komforts halber bei wiederholten Messungen als Einschaltstandard abgespeichert. Drücken Sie kurz die **SELECT**-Taste um nacheinander die Funktionen dieser Gruppe auszuwählen.



VORSICHT

1. Wenn die Kapazitätsfunktionen in einem spannungsführenden Stromkreis verwendet werden, kann dies zu falschen Ergebnissen und Schäden am Messgerät führen. In vielen Fällen muss die wahrscheinlich fehlerhafte Komponente vom Stromkreis getrennt werden, um ein genaues Messergebnis zu erhalten.
2. Wenn die Kapazitätsfunktion verwendet wird, müssen die Kondensator(en) vor den Messungen zunächst entladen werden. Kondensatoren mit hohen Werten sollten mit einer geeigneten Widerstandslast entladen werden.

Verwendung der Komplementär Piepser-Funktion

Die Komplementäre Piepser-Funktion wird beim Einschalten ausgewählt. Drücken und halten Sie die **REC** Taste, während Sie das Messgerät einschalten. Wenn die Segmente eine Bewegung im Uhrzeigersinn zeigen, ertönt der Piepser mit einem langen Piepton pro Segment Zyklus. Wenn die Segmente eine Bewegung gegen den Uhrzeigersinn zeigen, ertönt der Piepser mit 3 kurzen Pieptönen pro Segment Zyklus.

Hold

Die Funktion Hold (Halten) friert die Anzeige zum späteren Betrachten ein. LCD "H" leuchtet auf. Drücken Sie kurz die HOLD Taste, um die Haltefunktion zu aktivieren oder zu verlassen.

Aufnahme Modus

Drücken Sie kurz die **REC** Taste um den Aufnahmemodus MAX/MIN/AVG zu aktivieren. LCD "R" & "**MAX MIN AVG**" leuchten auf. Das Messgerät gibt einen Piepton aus, wenn die MAX (Maximum) oder MIN (Minimum) Anzeige aktualisiert wird. AVG (Mittelwert) Anzeige wird über die Zeit berechnet. Drücken Sie kurz die Taste, um die MAX, MIN und AVG Anzeigewerte nacheinander abzulesen. Um diesen Modus zu verlassen, drücken Sie die Taste für 1 Sekunde oder länger. Die automatische Abschaltung ist in diesem Modus deaktiviert.

Modus Relativer Nullpunkt (Δ)

Der Modus Relativer Nullpunkt gibt dem Benutzer die Möglichkeit, momentane Ablesewerte als Referenzwerte für folgende Messungen zu bestimmen. LCD " Δ " leuchtet auf. Drücken Sie die Taste Δ (**HOLD**) für eine Sekunde oder länger, um den Modus Relativer Nullpunkt ein- oder auszuschalten.

LCD Display Hintergrundbeleuchtung

Drücken Sie die [*] Taste kurz um die LCD Display Hintergrundbeleuchtung EIN und AUS zuschalten. Die Hintergrundbeleuchtung wird automatisch nach 32 Sekunden ausgeschaltet um die Batterielaufzeit zu verlängern.

Automatische Abschaltung (APO)

Der automatische Abschaltfunktion (APO) schaltet das Messgerät automatisch nach ca. 32 Minuten ab, um gegebenenfalls die Batterielaufzeit zu verlängern, wenn keine Aktivitäten vorliegen wie:

- 1) Betätigung des Drehschalters oder der Tasten.
- 2) Signifikante Messwertablesung von über 8,5% der Bereiche.
- 3) Von OL abweichende Anzeigewerte für Widerstand, Durchgang oder Diodenfunktion.
- 4) Von Null abweichende Anzeige für die Hz-Funktion.
- 5) Signifikante Bewegungen der Anzeige wie in den Drehfeld Funktionen.

Mit anderen Worten, das Messgerät vermeidet auf intelligente Weise während normaler Messungen, den APO-Modus. Um das Gerät aus diesem Schlafmodus zu wecken, drücken Sie kurz die **SELECT** Taste oder drehen Sie den Drehschalter in die Stellung OFF und dann wieder zurück. Drehen Sie den Drehschalter immer in die Position OFF, wenn das Messgerät nicht im Gebrauch ist.

5 WARTUNG

WARNUNG

Um einen Stromschlag zu vermeiden, trennen Sie das Gerät von allen Stromkreisen, entfernen die Prüflleitungen von den Eingangsbuchsen und schalten das Messgerät aus (OFF), bevor Sie das Gehäuse öffnen. Betreiben Sie das Gerät nicht mit offenem Gehäuse.

Störungssuche

Wenn das Instrument nicht funktioniert, überprüfen Sie Batterie, Prüflleitungen usw. und ersetzen Sie sie bei Bedarf. Überprüfen Sie den Bedienungsvorgang wiederholt, wie er in dieser Bedienungsanleitung beschrieben ist.

Wenn der Spannungs-/Widerstandseingang des Instruments versehentlich oder durch anomale Betriebsbedingungen hohen Spannungsspitzen ausgesetzt wurde (die meist durch Blitzschlag oder Schaltüberspannungen im Netz verursacht werden), brennen die Serien-Sicherungswiderstände wie Schmelzsicherungen durch (nehmen eine hohe Impedanz an), um den Anwender und das Instrument zu schützen. Die meisten Messfunktionen über diesen Anschluss sind dann unterbrochen. Diese Komponenten sollten dann nur von einem qualifizierten Techniker ausgetauscht werden. Im Abschnitt **EINGESCHRÄNKTE GARANTIE** erfahren Sie, wie Sie Garantie oder Reparatur-Kundendienst erhalten.

Genauigkeit und Kalibrierung

Die Genauigkeit wird für den Zeitraum von einem Jahr nach der Kalibrierung spezifiziert. Um die Messgenauigkeit zu erhalten wird eine regelmäßige Kalibrierung in Abständen von einem Jahr empfohlen. Siehe Abschnitt **EINGESCHRÄNKTE GARANTIE** für den Erhalt der Kalibrierung, Reparatur oder Garantieleistungen.

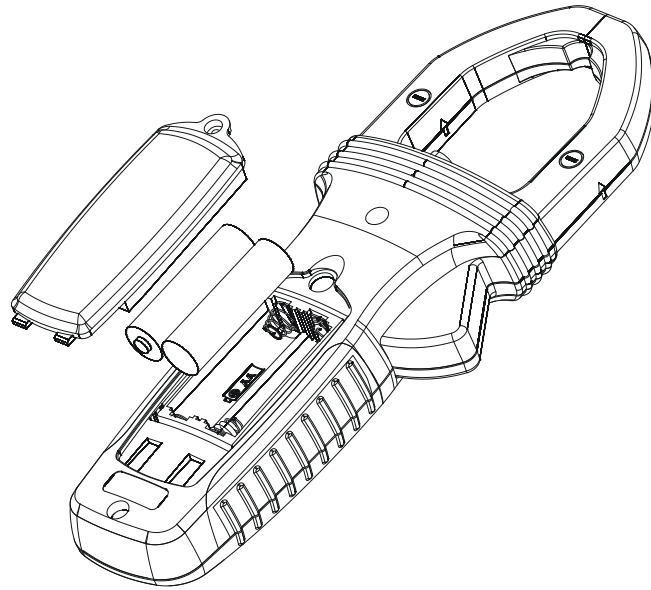
Reinigung und Lagerung

Wischen Sie das Gehäuse regelmäßig mit einem feuchten Tuch und einem milden Reinigungsmittel ab; verwenden Sie keine Scheuermittel oder Lösungsmittel. Wenn das Messgerät länger als 60 Tage nicht benutzt werden soll, entfernen Sie die Batterien und lagern Sie sie getrennt.

Batteriewechsel

Das Messgerät verwendet 2x Standardbatterie 1,5 V; Größe AA (JEC R6).

Lösen Sie die beiden unverlierbaren Schrauben der Batteriefachabdeckung. Heben Sie die Batteriefachabdeckung ab. Ersetzen Sie die Batterien. Setzen Sie die Batteriefachabdeckung wieder auf. Befestigen Sie die Schrauben wieder.



6 SPEZIFIKATIONEN

ALLGEMEINE ANGABEN

Display	3-5/6 Digits 6000 Zähler.
Polarität	automatisch.
Updaterate	5 pro Sekunde nominal.
Betriebstemperatur	-10 °C to 50 °C
Relative	Nicht kondensierend (≤ 10 °C)
Luftfeuchtigkeit:	$\leq 90\%$ rel. Luftfeuchte (bei 10 ~ 30 °C) $\leq 75\%$ rel. Luftfeuchte (bei 30 ~ 40 °C) $\leq 45\%$ rel. Luftfeuchte (bei 40 ~ 50 °C)
Verschmutzungsgrad	2
Lagertemperatur	-20°C to 60 °C, < 80% rel. Luftfeuchte (Batterie entfernt)
Höhenlage	Betrieb unter 2000 m; Lagerung unter 12000m.
Temperaturkoeffizient	nominal 0,310 x (spezifizierte Genauigkeit)/ °C @(-10 °C – 18 °C oder 28 °C – 50 °C), oder anderweitig spezifiziert.
Abtastung	Echter Effektivwert (RMS)
Sicherheit	Doppelte Isolierung nach UL / IEC / EN 61010-1 Ed. 3.0, IEC/EN61010-2-033 Ed. 1.0, CAN/CSA C22.2 No. 61010-1 Ed. 3.0, IEC/EN61010-2-032 Ed. 3.0, IEC/EN61010-031 Ed. 1.1 zu CAT III 1000V und CAT IV 600V AC & DC.
Transientenschutz	8.0 kV (1.2/50 μ s Surge).
Überlastschutz	<ul style="list-style-type: none"> • Strom & Hz Funktionen über die Backen: 1000 ADC/AAC Effektivwert (rms) bei < 400 Hz. • Spannung & 3-Phasen-Drehfeld Funktionen über Klemmen: 1100 VDC/VAC Effektivwert (rms). • Weitere Funktionen über Klemmen: 1000 VDC/VAC Effektivwert (rms).
E.M.C.	<p>Erfüllt die Normen EN61326-1:2006 (EN55022, EN61000-3-2, EN61000-3-3, EN61000-4-2, EN61000-4-3, EN61000-4-4, , EN61000-4-5, EN61000-4-6, EN61000-4-8, EN61000-4-11):</p> <ul style="list-style-type: none"> • ACA, DCA, und DC+ACA Funktionen, in einem RF Feld von 1 V/m: Gesamtgenauigkeit = spezifizierte Genauigkeit + 60 Digits bei etwa 200 MHz ~ 350MHz • Ohm und DC μA Funktionen, in einem RF Feld von 1 V/m: Gesamtgenauigkeit = spezifizierte Genauigkeit + 80 Digits • Weitere Funktionen, in einem RF Feld von 3 V/m: Gesamtgenauigkeit = spezifizierte Genauigkeit + 20 Digits
Stromversorgung	1,5 V AAA Batterie x 2.
Leistungsaufnahme	4,3 mA
Geringer	Unter ca. 2,85V für Kapazität & Hz.
Batterieladestand	Unter ca. 2,5V für alle weiteren Funktionen.
APO-Timer	bei Inaktivität ab 34 Minuten

Verbrauch	5 μ A typisch.
automatische Abschaltung (APO)	
Abmessungen (LxBxH)	258 x 94 x 44 mm
Gewicht	312 g
Backenöffnung & Leiterdurchmesser	51 mm max.
Zubehör	Prüfleitungssatz, Bedienungsanleitung, Tragetasche.
Besondere Merkmale	AmpTip™ Niedrigstrombereich; MAX/MIN AVG-Aufnahmemodus ; Halten der Display Anzeige; EF-Erfassung (NCV); LCD Hintergrundbeleuchtung; Relativ-Null.

ELEKTRISCHE SPEZIFIKATIONEN

Genauigkeit beträgt \pm (% Digits des Anzeigewerts + Anzahl der Digits) oder sonstige Spezifizierung, bei **23 °C \pm 5 °C**.

Maximaler Crest Faktor **< 2.5: 1** bei voller Skala & **< 5: 1** bei halber Skala sowie mit Frequenzkomponenten innerhalb der spezifizierten Frequenzbandbreite für Nicht-Sinus-Wellenformen.

DC Spannung

BEREICH	Genauigkeit
600,0 V, 1000 V	0,8% + 5d

Eingangsimpedanz: 10M Ω , 100pF nominal.

Wechselspannung (mit digitalen Tiefpassfilter)

BEREICH	Genauigkeit
50 Hz ~ 60 Hz	
600,0 V, 1000 V	0,8% + 5d
20 Hz ~ 200 Hz	
600,0 V, 1000 V	1,5% + 5d
200 Hz ~ 400 Hz	
600,0 V, 1000 V	10% + 5d

Eingangsimpedanz: 10M Ω , 100 pF nominal.

CREST (Peak-Hold)

Genauigkeit: Addieren Sie 250 Digits zur spezifizierten Genauigkeit für Änderungen von > 5 ms.

Akustischer Durchgangsprüfer

Hörschwelle: Bei zwischen 10 Ω und 250 Ω .
Antwortzeit ungefähr 32 ms.

Ohm

BEREICH	Genauigkeit
600,0 Ω , 6.000 k Ω , 60,00 k Ω	1,0% + 5d

Leerlaufspannung: < 1,0 VDC typisch.

Kapazität

BEREICH	Genauigkeit ¹⁾
200,0 μ F, 2500 μ F	2,0% + 4d

1) Genauigkeiten mit Filmkondensator oder besser.

Dioden Prüfer

BEREICH	Genauigkeit
2.000 V	1,5% + 5d

Prüfstrom: 0,3 mA typisch.

Leerlaufspannung: < 3,5 VDC typisch.

AmpTip™ Stromzange ACA

BEREICH	Genauigkeit ^{1) 2) 3)}
40 Hz ~ 100 Hz	
00,00 A ~ 20,00 A	1,5% + 5d
20,00 A ~ 60,00 A	3,0% + 5d
100 Hz ~ 400 Hz	
00,00 A ~ 20,00 A	2,0% + 5d
20,00 A ~ 60,00 A	3,0% + 5d

1) Induzierter Fehler von benachbarten stromführenden Leiter: <0,06 A/A.

2) Der Modus Relativer Nullpunkt Δ wird angewendet, um eventuell vorhandene Restablesewerte ungleich Null auszugleichen.

3) Addieren Sie 10 Digits zur spezifizierten Genauigkeit @ <4 A.

Normale Stromzange ACA

BEREICH	Genauigkeit ^{1) 2)}
40 Hz ~ 100 Hz	
60,00 A ³⁾ , 600,0 A, 1000 A ⁴⁾	1,8% + 5d
100 Hz ~ 400 Hz	
60,00 A ³⁾ , 600,0 A, 1000 A ⁴⁾	2,2% + 5d

1) Induzierter Fehler von benachbarten stromführenden Leiter: <0,06 A/A.

2) Die angegebene Genauigkeit gilt für Messergebnisse im Backenzentrum. Falls der Leiter nicht in der Backenmitte positioniert ist, fügen Sie 2% auf die angegebene Genauigkeit als Positionsfehler hinzu.

3) Addieren Sie 10 Digits zur spezifizierten Genauigkeit @ <6 A.

4) Maximaler Crest Faktor < 1.4 : 1 bei voller Skala & < 2,8: 1 bei halber Skala.

Hz-Bezugspegelfrequenz

Funktion	Empfindlichkeit ¹⁾ (Sinus RMS)	Bereich
600 V, 1000V	50 V	5,00 Hz ~ 999,9 Hz
60 A (AmpTip™)	40 A	40,00 Hz ~ 400,0 Hz
60 A, 600 A, 1000 A	40 A	40,00Hz ~ 400,0 Hz

Genauigkeit: 1% + 5d.

¹⁾ DC-Vorspannung, wenn überhaupt, nicht mehr als 50% des Sinus Effektivwertes (RMS).

Berührungslose EF-Erkennung

Typische Spannung	Anzeige als Balkengrafik
20 V (Toleranz: 10 V ~ 36 V)	-
55 V (Toleranz: 23 V ~ 83 V)	--
110 V (Toleranz: 59 V ~ 165 V)	---
220 V (Toleranz: 124 V ~ 330 V)	----
440 V (Toleranz: 250 V ~ 1000 V)	-----

Anzeige: Balkendiagramm Segmente und hörbare Pieptöne proportional zur Feldstärke.
Erfassungsfrequenz: 50/60Hz.

Antenne zur Frequenzerfassung: Im Inneren der Oberseite der feststehenden Backe.
EF-Erfassung mit Sondenkontakt: Wenn Sie genauere Angaben zu den stromführenden Kabeln z.B. zur Unterscheidung zwischen Spannungs- und Masseverbindungen (Ground) möchten, verwenden Sie eine Sonde am Anschluss **COM** für direkte EF-Erkennung mit bester Empfindlichkeit.

7 EINGESCHRÄNKTE GARANTIE

Bei sorgfältiger Behandlung und Beachtung der Bedienungsanleitung gewährleistet der Hersteller Metrel 2 Jahre Garantie ab Kaufdatum.

Wir verpflichten uns, das Gerät kostenlos instand zu setzen, soweit es sich um Material oder Konstruktionsfehler handelt.

Instandsetzungen dürfen nur ausschließlich von autorisierten Metrel Service-Stationen mit freigegebenem Reparaturauftrag durchgeführt werden.

Weitere Ansprüche sind ausgeschlossen.

Schäden, die sich aus der unsachgemäßen Benutzung des Gerätes ergeben, werden nicht ersetzt.

Innerhalb der ersten 2 Jahre ab Kaufdatum, beseitigen wir, die als berechtigt anerkannten Mängel, ohne Abrechnung der entstandenen Nebenkosten.

Die Kostenübernahme ist vorher zu klären.

Die Einsendung des Gerätes muss in jedem Fall unter Beifügung des Kaufbeleges erfolgen.

Ohne Nachweis des Kaufdatums erfolgt eine Kostenanrechnung ohne Rückfrage. Die Rücksendung erfolgt dann per Nachnahme.

Kaufbeleg bitte unbedingt aufbewahren! Kaufbeleg ist gleich Garantieschein!

Von der Gewährleistung/Garantie ausgeschlossen sind:

- Unsachgemäßer Gebrauch, wie z.B. Überlastung des Gerätes oder Verwendung von nicht zugelassenen Zubehör.
- Gewaltanwendung, Beschädigung durch Fremdeinwirkungen oder durch Fremdkörper, z.B. Wasser, Sand oder Steine.
- Schäden durch Nichtbeachtung der Gebrauchsanleitung, z.B. Anschluss an eine falsche Netzspannung oder Stromart oder Nichtbeachtung der Aufbauanleitung.
- Gewöhnlicher/normaler Verschleiß/Verbrauch und alle anderen von außen auf das Gerät einwirkenden Ereignissen, die nicht auf den gewöhnlichen Gebrauch/Nutzung zurückzuführen sind.
- Verschleiß-/Verbrauchsmaterialien wie z.B. Trageriemen, Kunststoffteile.
- Zubehör, Sicherungen, Sicherungswiderstände, Funkenstrecken, Batterien oder jedes Produkt, das nach Meinung von METREL missbräuchlich verwendet, verändert, vernachlässigt oder versehentlich oder durch abnorme Betriebsbedingungen oder Behandlung beschädigt worden ist.

DIESE GARANTIE GILT AUSSCHLIESSLICH UND TRITT AN DIE STELLE ALLER ANDEREN – AUSDRÜCKLICHEN ODER STILLSCHWEIGENDEN – GARANTIEN, EINSCHLIESSLICH, ABER NICHT BESCHRÄNKT AUF, ALLE MÄNGEL- ODER GEBRAUCHSTAUGLICHKEITSGARANTIEN FÜR EINEN BESONDEREN ZWECK ODER GEBRAUCH. METREL IST NICHT HAFTBAR FÜR ALLE BESONDEREN, INDIREKTEN, NEBEN- ODER FOLGESCHÄDEN

<http://www.metrel.de>



GEDRUCKT AUF RECYCLINGPAPIER, BITTE WIEDERVERWERTEN

1 VARNOST

To navodilo vsebuje informacije in opozorila, ki se morajo upoštevati za varno delo z instrumentom in vzdrževanje varnega obratovalnega stanja instrumenta. Če se instrument ne uporablja na način, kot ga podaja proizvajalec, je lahko okrnjena varnost, ki jo instrument zagotavlja.

Merilnik ščiti uporabnika z dvojno izolacijo po SIST EN 61010-1 izd. 3.0, SIST EN 61010-2-033 izd. 1.0, CAN/CSA C22.2 št. 61010-1 izd. 3.0, SIST EN 61010-2-032 izd. 3.0 & SIST EN 61010-031 izd. 1.1:

Merilna kategorija III 1000 V & kategorija IV 600 V AC & DC.

PRENAPETOSTNA KATEGORIJA PO SIST EN 61010-1 (2010)

PRENAPETOSTNA KATEGORIJA II (CAT II) je za opremo, ki je namenjena za napajanje iz ožičenja zgradbe. Uporablja se za oba, opremo priključeno z vtičači in za TRAJNO PRIKLJUČENO OPREMO.

PRENAPETOSTNA KATEGORIJA III (CAT III) je za opremo, ki je namenjena, da tvori del hišne inštalacije. Taka oprema vsebuje vtičnice, razdelilnike in nekaj opreme za nadzor OMREŽNE inštalacije.

PRENAPETOSTNA KATEGORIJA IV (CAT IV) je za opremo na ali v bližini priklopa električnega napajanja na hišo, med vstopom v zgradbo in glavno razdelilno ploščo. Taka oprema lahko vsebuje števec električne energije in naprave za primarno zaščito pred previsokim tokom.

IZRAZI V TEM NAVODILU

OPOZORILO opredeljuje pogoje in dejanja, katerih posledica so lahko hude poškodbe ali celo smrt uporabnika.

PREVIDNO opredeljuje pogoje in dejanja, ki lahko povzročijo škodo ali nepravilno delovanje instrumenta.

OPOZORILO

Za zmanjšanje nevarnosti požara ali električnega udara ne izpostavlja tega izdelka dežju ali vlagi. Merilnik je namenjen samo za uporabo v notranjih prostorih.

Za izogibanje električnemu udaru je treba upoštevati varnostne ukrepe pri delu z napetostmi nad 60 V d.c. ali 30 V a.c. ef. Ti napetostni nivoji predstavljajo potencialno tveganje za napetostni udar uporabnika. Pred in po meritvah nevarne napetosti preizkusi funkcijo napetosti na znanem izvoru, kot je npr. omrežna napetost, da se preveri pravilno delovanje instrumenta.









Med meritvijo morajo biti prsti/roke za pregrado za prste/roke (merilnika in merilnih vezi), ki predstavlja mejo varnega dostopa oprijemalnega dela. Pred uporabo instrumenta pregled merilne vezi, priključke, in tipalke, da nimajo poškodovane izolacije ali dostopnih kovinskih delov. Če so odkrite kakršnekoli napake, jih je treba takoj zamenjati. Uporablja samo merilne vezi, ki so dobavljene z opremo ali UL registrirane sestave merilnih vezi, označene s CAT III 1000V ali boljše.

Ta kleščni merilnik je tako razvit, da se z njim zajame ali spusti neizolirane vodnike z nevarno napetostjo. Toda še vedno je treba uporabiti osebno zaščitno opremo, če so lahko dostopni življenjsko nevarni deli v inštalaciji, v kateri naj bi se izvedla meritev.

PREVIDNO

Odklopi merilne vezi iz merjenih točk pred menjavo funkcij.

MEDNARODNI ELEKTRIČNI SIMBOLI

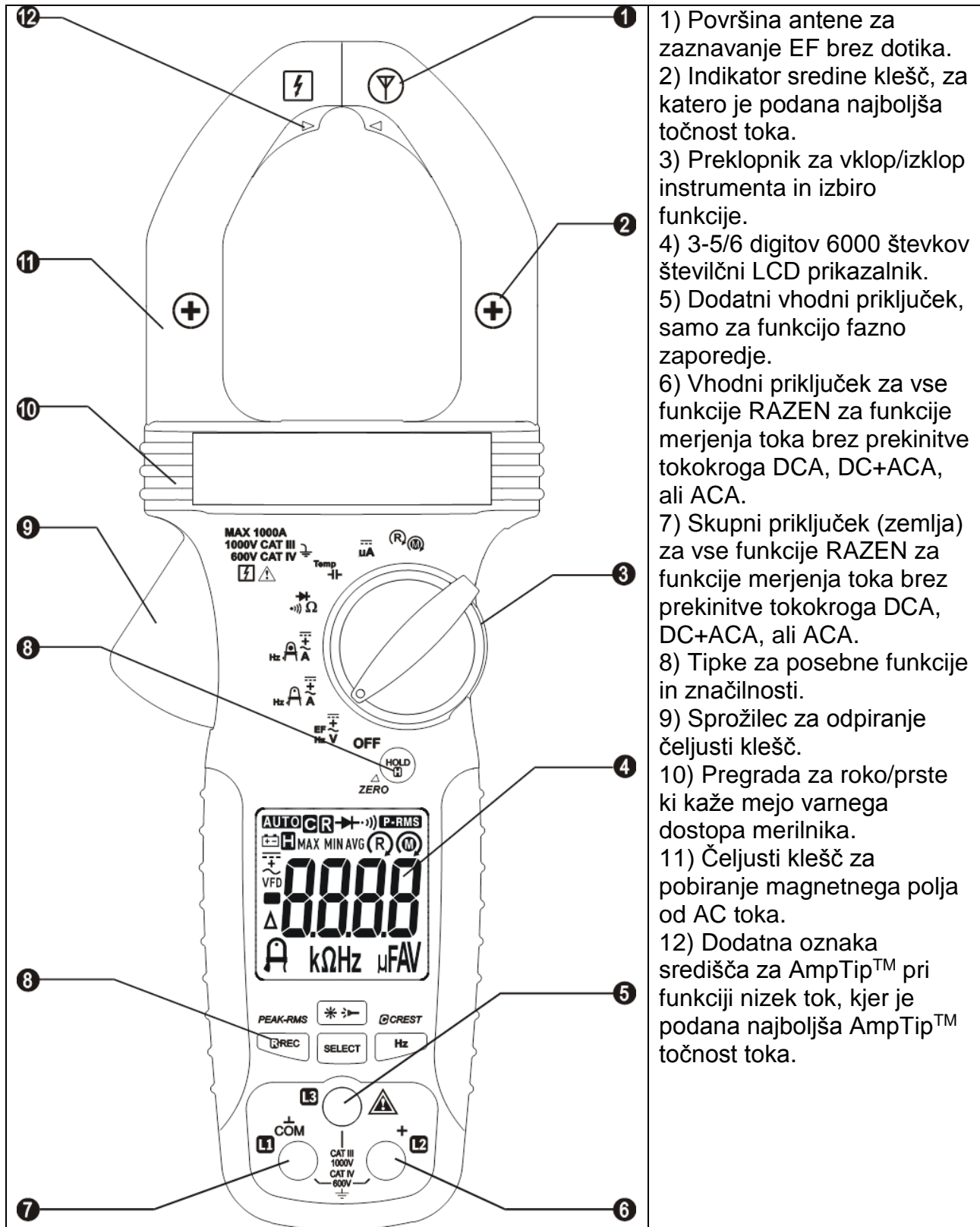
-  Previdno! Glej razlago v tem navodilu!
-  Previdno! Nevarnost električnega udara!
-  Zemlja.
-  Dvojna izolacija ali ojačana izolacija.
-  Varovalka.
-  AC – Izmenični tok.
-  DC – Enosmerni tok.
-  Dovoljeno je zajemanje in odstranitev od neizoliranih vodnikov z življenjsko nevarno napetostjo.

2 EU DIREKTIVE

Instrumenti ustrezajo Niskonapetostni direktivi 2006/95/EC in Direktivi za elektromagnetno združljivost 2004/108/EC.

3 OPIS IZDELKA

To navodilo za uporabo uporablja za ilustracijo le reprezentativni(e) vzorec(e). Prosim, glej podrobnosti za funkcije za vsak model.

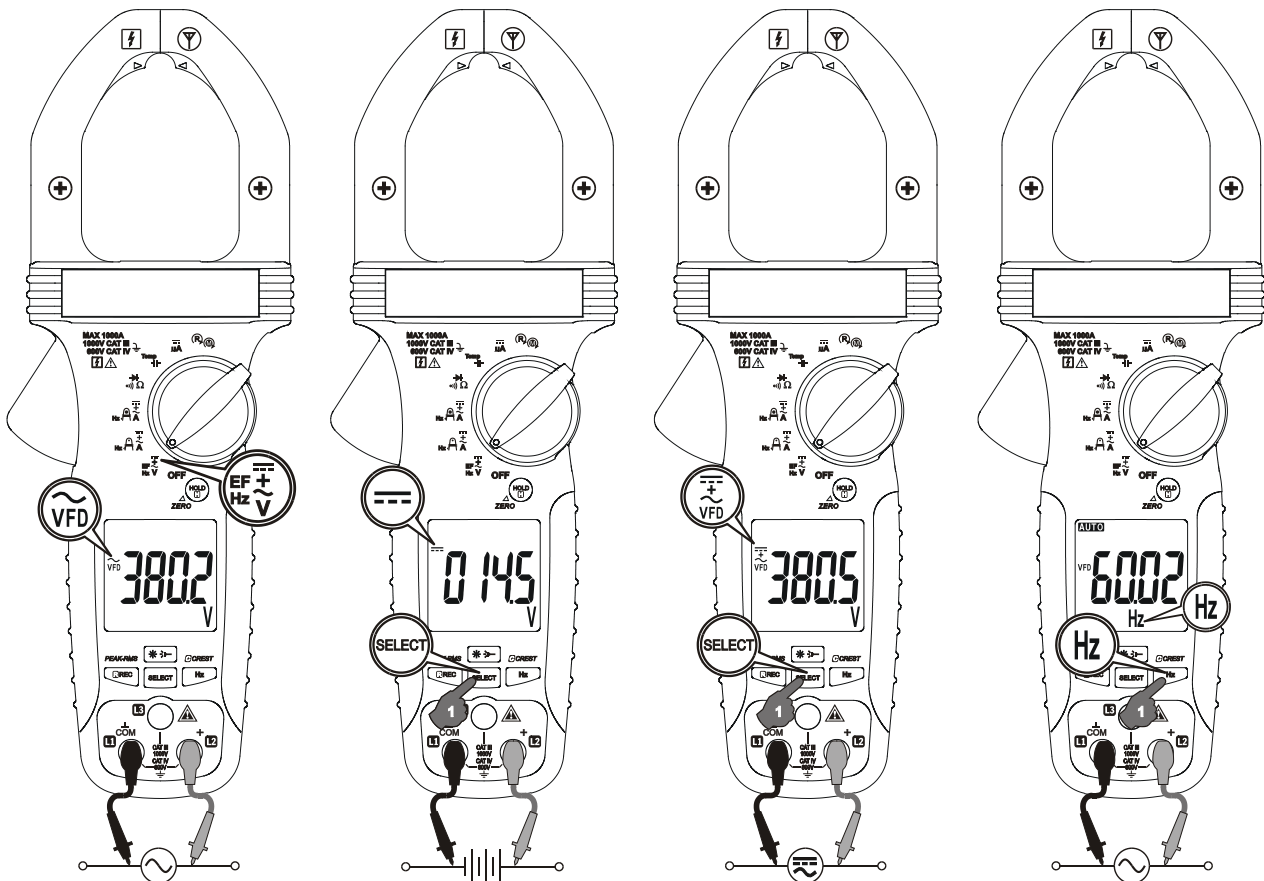


4 DELOVANJE

OPOZORILO: Pred in po meritvah nevarne napetosti preizkusi funkcijo napetosti na znanem izvoru, kot je npr. omrežna napetost, da se preveri pravilno delovanje instrumenta.

Funkcije ACV, DCV, EF (NCV) & omrežni nivo Hz

Vhodi, drugi kot ta za EF, ki je opisan spodaj, so izvedeni preko priključkov za merilne vezi **COM/+**. Za hip pritisni tipko **SELECT** za zaporedno izbiro navedenih funkcij. Zadnja izbira se bo shranila kot izhodiščna ob vklopu za ponovitev zadnje meritve. Za hip pritisni tipko **Hz** za preklop funkcije **omrežni nivo Hz**.

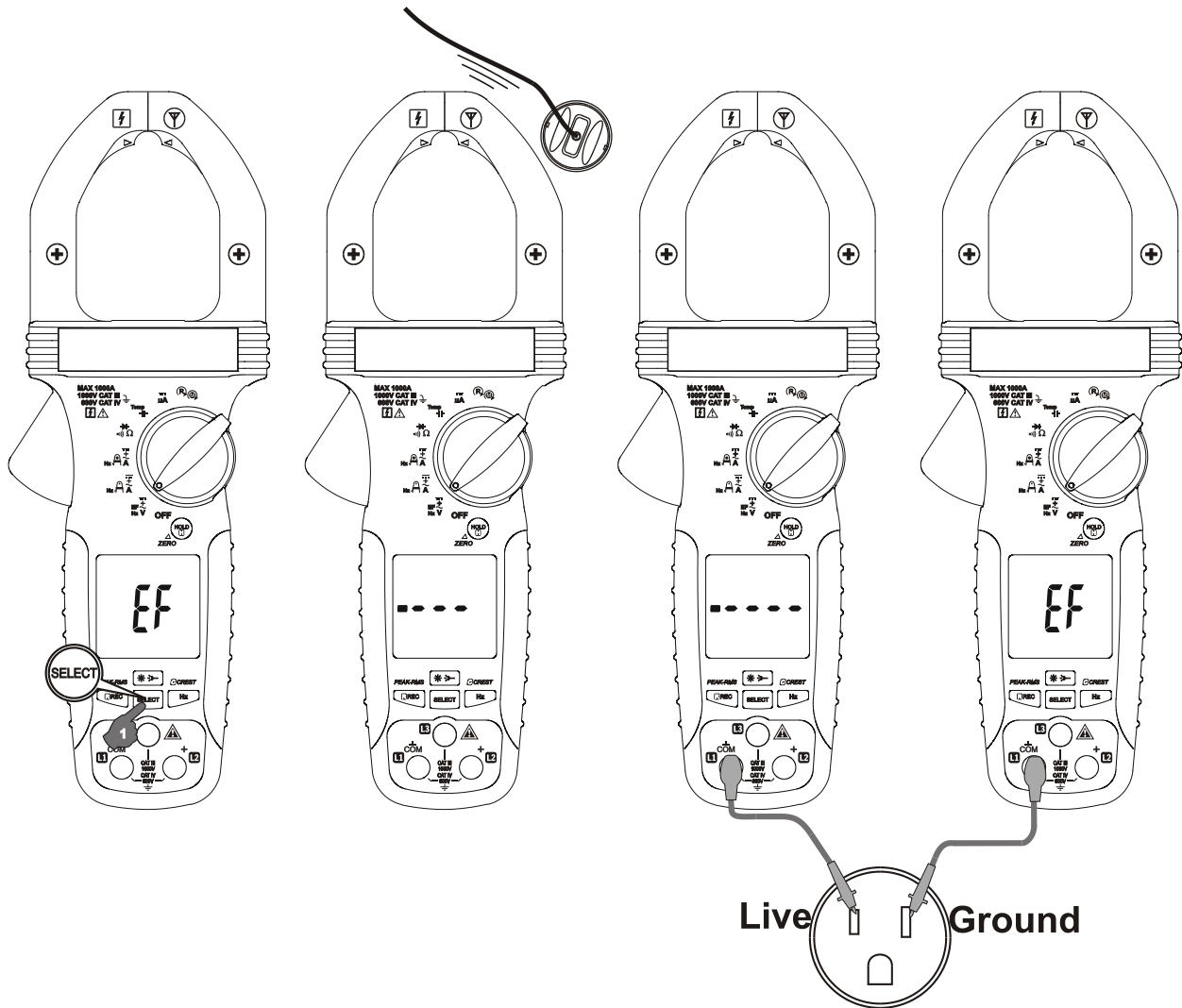


Opomba

Funkcija **ACV** (in s tem **AC+DCV & omrežni nivo Hz**) je opremljena z digitalnim nizkim sitom in je zmožna delati z **VFD** (pogoni s spremenljivo frekvenco) signali. Prav tako izboljša stabilnost odčitavanja ACV v okoljih z električnimi motnjami.

Zaznavanje električnega polja EF

Merilnik prikazuje "EF", ko je pripravljen. Jakost signala je označena kot zaporedje segmentov črtnega grafa na prikazalniku skupaj s spremenljivimi toni piskov.



- **Zaznavanje EF brez dotika:** antena je locirana vzdolž zgornjega desnega konca statičnih čeljusti klešč, katera zaznava električno polje v okolici napajanih vodnikov. To je primerno za sledenje povezavam vodnikov pod napetostjo, določanjem mesta prekinitve ožičenja in za razločevanje med ozemljitveno povezavo on povezavo pod napetostjo.
- **Zaznavanje EF z dotikom tipalke:** Za preciznejšo indikacijo žic pod napetostjo, kot je razločevanje med povezavo pod napetostjo in zemljo, uporaba ene same tipalke za preizkus preko priključka **COM** za neposreden dotik zaznavanja EF z najboljšo občutljivostjo.

PREVIDNO & Opozorilo za (kleščne) meritve toka brez prekinitve tokokroga PREVIDNO

(Uporaba in odstranjevanje čeljusti klešč) Za meritve toka brez prekinitve tokokroga pritisni sprožilec čeljusti in spni čeljusti okoli vodnika (vodnikov) samo enega samega pola za meritev bremenskega toka. Poskrbi, da so čeljusti popolnoma zaprte, sicer bodo vnesle merilne napake. Zajemanje vodnikov več kot enega pola tokokroga lahko povzroči meritev diferencialnega toka (kot prepoznavni uhajavi tok). Razporedi vodnike v sredino čeljusti po indikatorjih (Regularni ali AmpTip™ indikatorji, kjer je primerno) tako kolikor je možno, da se dobi najboljšo merilno točnost. Za odstranitev pritisni sprožilec čeljusti in odstrani čeljusti od vodnikov.

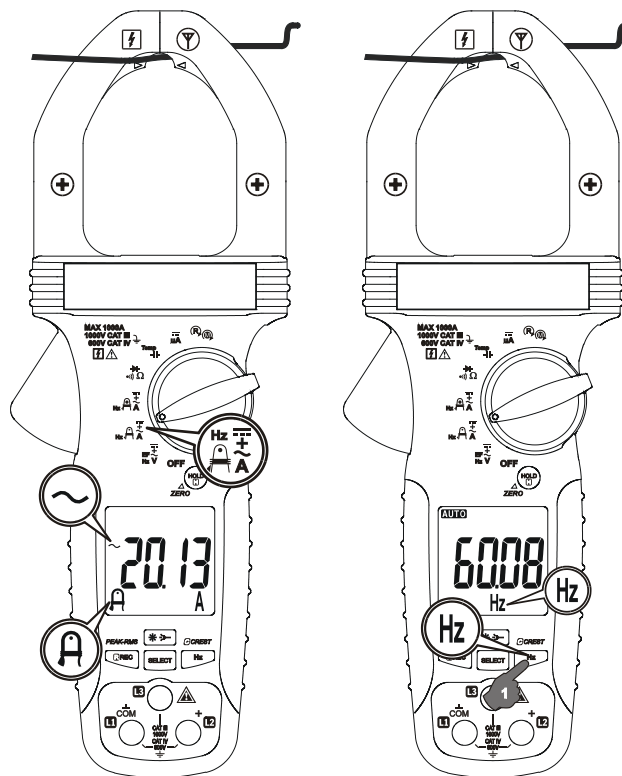
Sosednje naprave, ki prenašajo tok, kot so transformatorji, motorji in vodniki lahko vplivajo na merilno točnost. Klešče naj bodo v čim večji oddaljenosti od teh naprav, da bo njihov vpliv čim manjši.

OPOZORILO

Ne uporabljaj merilnika za merjenje tokov s frekvenco višjo od naznačene (400 Hz). Vrtinčni tokovi lahko povzročijo, da magnetni tokokrogi čeljusti dosežejo nevarno temperaturo.

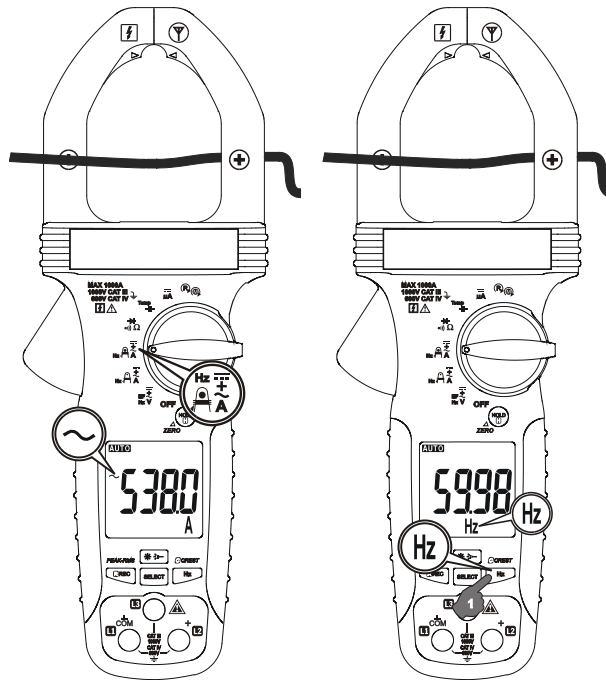
Funkcija AmpTip™ nizek tok brez prekinitve tokokroga ACA & Hz

Vhod je izveden preko čeljusti klešč, z najboljšo točnostjo podano v bližini površine konice klešč za meritve malih tokov malih vodnikov. Za hip pritisni tipko **SELECT** za izbiro navedenih funkcij v zaporedju. Zadnja izbrana se bo shranila kot izhodiščna ob vklopu, da se priročno ponovi meritev. Za hip pritisni tipko **Hz** za preklop funkcije Hz.



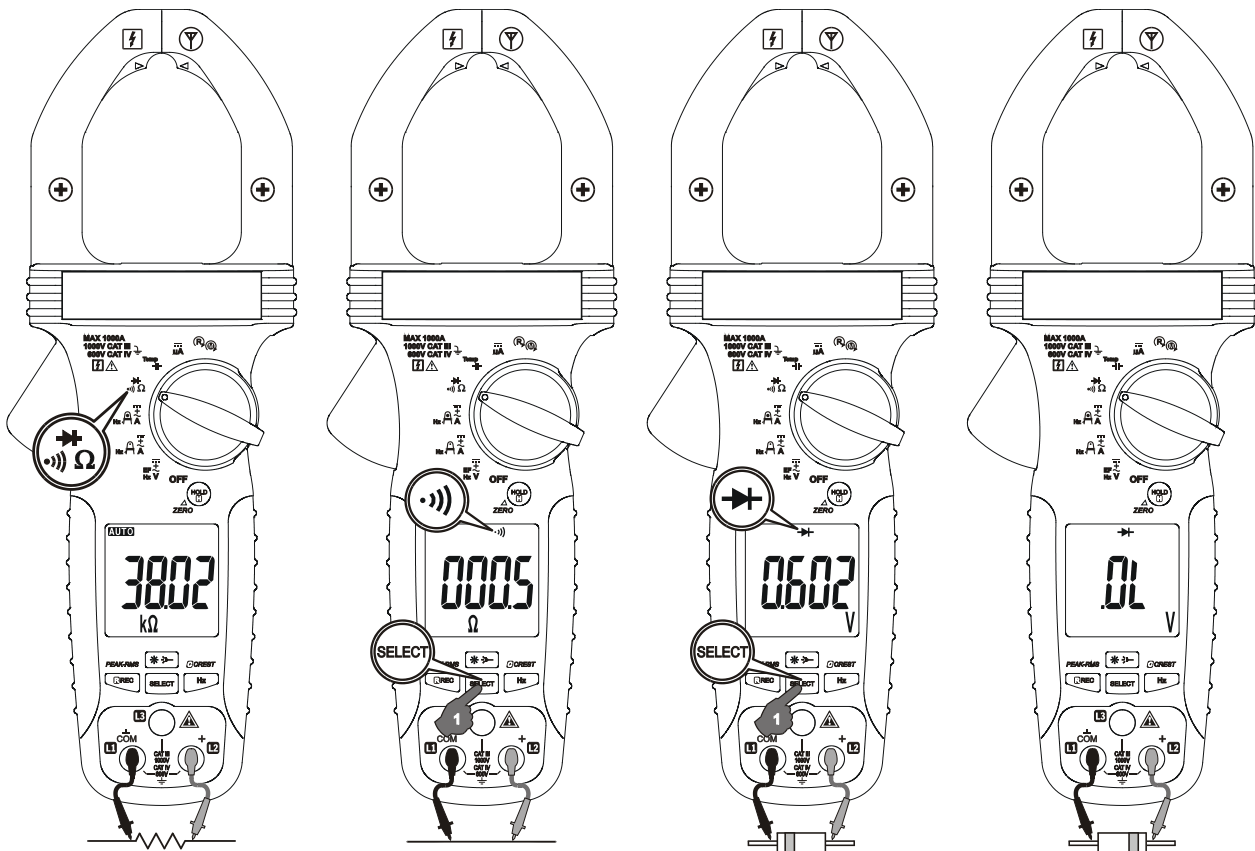
Regularne funkcije toka brez prekinitve tokokroga ACA & Hz

Vhod je izvede preko čeljusti klešč, z najboljšo točnostjo podano v središču čeljusti za regularne meritve toka. Za hip pritisni tipko **SELECT** za izbiro predmetnih funkcij v zaporedju. Zadnja izbrana se bo shranila kot izhodiščna ob vklopu, da se priročno ponovi meritev. Za hip pritisni tipko **Hz** za preklop funkcije Hz.



Funkcije Ω upornost, $\cdot\cdot\cdot$) neprekinjenost povezav & \rightarrow dioda

Vhodi so izvedeni na priključkih merilnih vezi **COM/+**. Pritisni za hip tipko **SELECT** za izbiro predmetnih funkcij v zaporedju. Zadnja izbrana se bo shranila kot izhodiščna ob vklopu, da se priročno ponovi meritev. Zvočni signal za indikacijo neprekinjenosti povezav se vključi s pritiskom na tipko REC ob vklopu merilnika.



Opomba

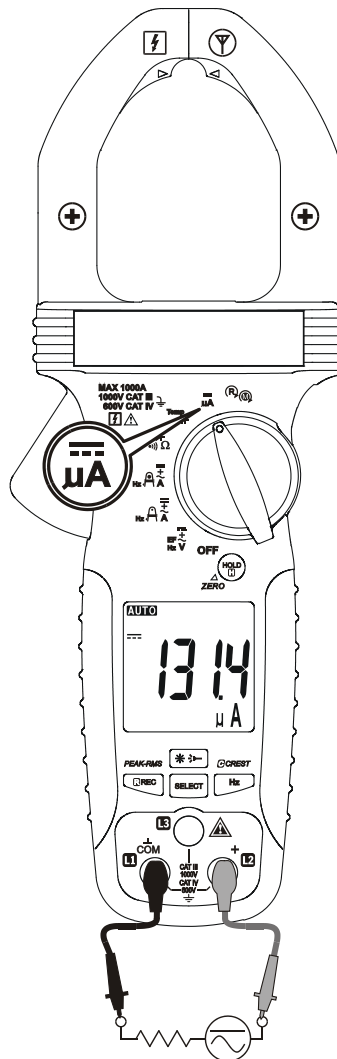
Pri uporabi funkcije za preizkus diode je normalni padec napetosti (v prevodni smeri) za dobro silicijevno diodo med 0.400 V in 0.900 V. Višji odčitek kaže na diodo, ki pušča (pokvarjena). Odčitek nič kaže na diodo v kratkem stiku (pokvarjena). Prikaz OL kaže prekinjeno diodo (pokvarjena). Zamenjaj priključeni merilni vezi (zaporno polarizirana) na diodi. Digitalni prikazalnik bo kazal OL, je de dioda dobra. Kakršni koli drugi odčitki kažejo, da dioda pušča ali je prebita (pokvarjena).

PREVIDNO

Pri uporabi funkcije upornost, neprekinjenost ali diode v tokokrogu pod napetostjo se lahko pojavijo nepravilni rezultati ali poškoduje instrument. V mnogih primerih je treba sumljiv(e) del(e) odklopiti iz tokokroga, da se doseže natančen odčitek.

Funkcija μA Kapacitivnost

Vhodi so izvedeni na priključkih merilnih vezi **COM/+**. Zadnja izbran se bo shranila kot izhodiščna ob vklopu za ponovitev zadnje meritve. Za hip pritisni tipko **SELECT** za zaporedno izbiro predmetnih funkcij.



PREVIDNO

- 1 Pri uporabi funkcije kapacitivnost v tokokrogu pod napetostjo se lahko pojavijo nepravilni rezultati ali poškoduje instrument. V mnogih primerih je treba sumljiv(e) del(e) odklopiti iz tokokroga, da se doseže natančen odčitek.
- 2 Pri uporabi funkcije kapacitivnost izprazni kondenzator(je) preden izvajaš katerekoli meritve. Kondenzatorje z visoko kapacitivnostjo je treba izprazniti skozi primerno uporabno breme

Zadržanje

Značilnost Hold zamrzne prikazalnik za kasnejše odčitavanje. Na se vklopi LCD "H". Za hip pritisni tipko HOLD, da se preklopi zadržanje.

Način zajemanja

Za trenutek pritisni tipko **REC**, da se vključi zajemanje MAX/MIN/AVG. LCD "R" & "MAX MIN AVG" se vključi. Merilnik zapiska, ko se osveži nov MAX (najvišji) ali MIN (najnižji) odčitek. AVG (Povprečje) odčitkov se računa v časovnem obdobju. Za trenutek pritisni tipko za zaporedno odčitavanje vrednosti MAX, MIN in AVG. Pritisni tipko za najmanj 1 s za izstop iz tega načina. Samodejni izklop je preprečen v tem načinu.

Način relativne ničle (Δ)

Relativna ničla omogoča uporabniku napraviti odmik zaporednih meritev, kjer je odčitek glavnega prikazalnika prikazan kot referenčna vrednost. LCD " Δ " se vklopi. Pritisni tipko Δ (HOLD) za najmanj 1 s za preklop načina relativne ničle.

Osvetljen LCD prikazalnik

Za trenutek pritisni tipko \square^* , da se preklopi osvetlitev LCD. Osvetlitev se prav tako samodejno ugasne po 32 s, da se podaljša življenjsko dobo baterije.

Inteligentni samodejni izklop (APO)

Način samodejnega izklopa (APO) izključi instrument samodejno, da podaljša življenjsko dobo baterije, po približno 32 min. brez podanih dejavnosti, kjer je uporabno:

- 1 Dejavnosti preklopnika ali tipk.
- 2 Znatni merilni odčitki nad 8.5 % območij.
- 3 Odčitki brez odprtih sponk (OL) pri funkcijah upornost, neprekinjenost povezav, ali dioda.
- 4 Odčitki različni od 0 za funkcijo Hz.
- 5 Znatna indikacija gibanja kot v funkcijah fazno zaporedje.

Z drugimi besedami, merilnik se bo inteligentno izogibal samodejnemu izklopu kadar meri normalno. Za bujenje merilnika iz samodejnega izklopa APO, za hip pritisni in sprosti tipko SELECT ali izklopi s preklopnikom in potem ponovno vklopi. Vedno s preklopnikom izključi instrument, kadar se merilnik ne uporablja.

5 VZDRŽEVANJE

OPOZORILO

Pred odpiranjem ohišja odklopi merilnik iz vseh tokokrogov, odklopi merilne vezi iz vhodnih puš in izklopi instrument, da ne pride do električnega udara. Ne uporabljaj instrumenta z odprtim ohišjem.

Odpravljanje težav

Če instrument preneha delovati, preglej baterijo in merilne vezi, itd. ter zamenjaj, kar je potrebno. Dvakrat preveri delovanje, kot je opisano v tem navodilu ta uporabo.

Če je bil vhodni priključek instrumenta za napetost-upornost izpostavljen visokim napetostim prehodnega pojava (ki jih povzroči strela ali udari zaradi preklpov v preizkušnem sistemu) po nesreči ali zaradi nenormalnih pogojev delovanja, se lahko prekine zaporedno z vodom vezana zaščitna impedanca (postane visoko-impedančna) podobno, kot varovalke za zaščito uporabnika in instrumenta. Večina merilnih funkcij preko tega priključka je lahko potem odprtih (brez povezave). Take sestavne dele lahko zamenja le kvalificiran tehnik. Glej v GARANCIJSKI IZJAVI poglavje za pridobitev garancijskih uslug ali popravila.

Točnost in kalibracija

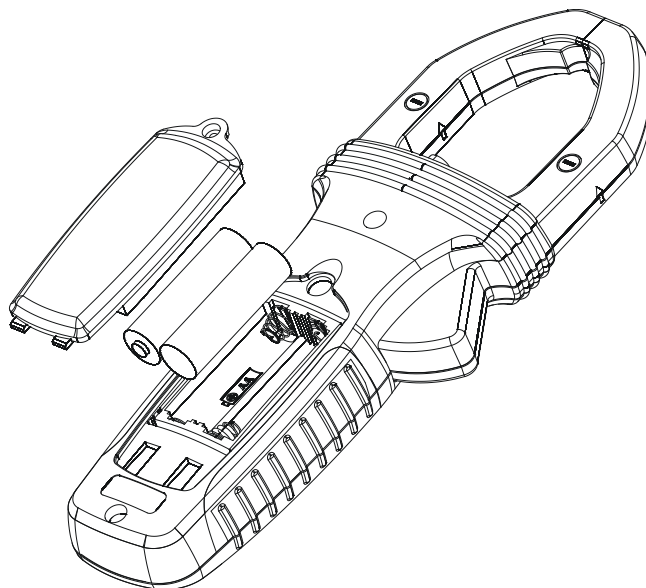
Točnost je podana za obdobje enega leta po kalibraciji. Za vzdrževanje točnosti merilnika je priporočljiva redna kalibracija v obdobju enega leta. Glej v GARANCIJSKI IZJAVI poglavje za pridobitev garancijskih uslug, kalibracije ali popravila.

Čiščenje in shranjevanje

Občasno obriši ohišje z mehko krpo in blagim detergentom; ne uporabljaj jedkal in topil. Odstrani baterijo in jo shrani posebej, če se merilnik ne bo uporabljal v obdobju daljšem od 60 dni.

Zamenjava baterije

Merilnik uporablja standardne baterijske člene 1.5 V AA velikost (IEC R6) X 2. Sprosti 2 vijaka na pokrovu baterije. Dvigni pokrov baterije. Zamenjaj baterijo. Vrni pokrov baterije. Ponovno privij vijake.



6 TEHNIČNI PODATKI

SPLOŠNI PODATKI

Prikazalnik	3-5/6 digitov 6,000 števkov.
Polariteta	Samodejna.
Hitrost osveževanja	Nazivno 5 na s.
Obratovalna temperature	-10 °C do 50 °C
Relativna vlažnost	Brez kondenziranja (≤ 10 °C) ≤ 90 % RH (pri 10~30 °C) ≤ 75 % RH (pri 30~40 °C) ≤ 45 % RH (pri 40~50 °C)
Stopnja onesnaženja	2
Temperatura shranjevanja	-20 °C do 60 °C, < 80 % R.H. (brez baterije).
Višina	Delovanje pod 2000 m; Shranjevanje pod 12000 m.
Temperaturni koeficient	Nazivno 0.10 x (podana točnost)/ °C @(-10 °C – 18 °C ali 28 °C – 50 °C), ali, če je drugače podano.
Zaznavanje	prava efektivna vrednost (TRMS).
Varnost	Dvojna izolacija po SIST EN 61010-1 izd. 3.0, SIST EN 61010-2-033 izd. 1.0, CAN/CSA C22.2 No. 61010-1 izd. 3.0, SIST EN 61010-2-032 izd. 3.0 & SIST EN 61010-031 izd. 1.1 to CAT III 1000 V in CAT IV 600 V AC & DC.
Zaščita pred prehodnimi pojavi	8.0 kV (1.2/50 μ s udar).
Zaščite pred preobremenitvijo	Tok & Hz funkciji preko klešč: 1000 A DC/ A AC ef. pri <400 Hz. Funkcija napetost preko priključkov: 1100 V DC/ V AC ef. Druge funkcije preko priključkov: 1000 V DC / V AC ef.
E.M.C.	Ustreza SIST EN 61326-1:2006 (SIST EN 55022, SIST EN 61000-3-2, SIST EN 61000-3-3, SIST EN 61000-4-2, SIST EN 61000-4-3, SIST EN 61000-4-4, SIST EN 61000-4-5, SIST EN 61000-4-6, SIST EN 61000-4-8, SIST EN 61000-4-11): <ul style="list-style-type: none"> • ACA funkcija, v VF polju 1V/m: Celotna točnost = podana točnost + 60 digitov pri okoli 200 MHz~350 MHz. • Ohm funkcija, v VF polju 1V/m: Celotna točnost = podana točnost + 80 digitov. • Druge funkcije, v VF polju 3 V/m: Celotna točnost = podana točnost + 20 digitov.
Napajanje	1.5 V AA velikost členov X 2.
Poraba	Tipično 4.3 mA.
Prazna baterija	Pod približno. 2.85 V za kapacitivnost & Hz. Pod približno 2.5 V za druge funkcije.
APO čas	Nedelovanje po 32 min.
APO poraba	5 μ A tipično.
Mere (DxŠxV)	258 mm x 94 mm x 44 mm
Masa	312 g
Odprtje čeljusti & premer vodnika	51 mm največ.
Pribori	Set merilnih vezi, set krokodilov, navodilo za uporabo, mehka transportna torbica.

Posebne značilnosti AmpTip™ nizko tokovno območje; način beleženja MAX/MIN/AVG; zadržanje prikaza; zaznavanje EF (NCV); osvetljen LCD; relativna ničla.

ELEKTRIČNI PODATKI OPOMBA

- NDP je okrajšava za največji dopustni pogrešek, nekdam podajano točnost.

NDP je $\pm(\%$ odčitka digitov + število digitov) ali, če je drugače podano, pri $23\text{ °C} \pm 5\text{ °C}$. Najvišji vršni faktor $< 2.5 : 1$ pri polnem območju skali & $< 5 : 1$ pri polovici območja ali, če je drugače podano in s frekvenčnim spektrom, ki ne presega podane frekvenčne pasovne širine za nesinusne oblike.

DC napetost

OBMOČJE	NDP
600.0 V, 1000 V	0.8 % + 5d

Vhodna impedanca: 10 M Ω , 100 pF nazivno.

AC napetost (z Digitalnim nizkim sitom)

OBMOČJE	NDP
50 Hz ~ 60 Hz	
600.0 V, 1000 V	0.8 % + 5d
20 Hz ~ 200 Hz	
600.0 V, 1000 V	1.5 % + 5d
200 Hz ~ 400 Hz	
600.0 V, 1000 V	10 % + 5d

Vhodna impedanca: 10M Ω , 100 pF nazivno.

CREST (Peak-Hold)

Točnost: dodaj 250 digitov podani točnosti za spremembe > 5 ms.

Zvočni preizkuševalnik neprekinjenosti

Prag za zvočni signal: Med 10 Ω in 250 Ω .

Odzivni čas: 32 ms približno.

Ohm

OBMOČJE	NDP
600.0 Ω , 6.000 k Ω , 60.00 k Ω	1.0 % + 5d

Napetost odprtih sponk: 1.0 V DC tipično.

Kapacitivnost

OBMOČJE	NDP ¹⁾
200.0 μ F, 2500 μ F	2.0 % + 4d

¹⁾ Točnosti s folijskim kondenzatorjem ali boljšim.

Preizkuševalnik diode

OBMOČJE	NDP
2.000 V	1.5 % + 5d

Merilni tok: 0.3 mA tipično.

Napetost odprtih sponk: < 3.5 V d.c. tipično.

AmpTip™ kleščni ACA

OBMOČJE	NDP ^{1) 2) 3)}
40 Hz ~ 100 Hz	
00.00 A ~ 20.00 A	1.5 % + 5d
20.00 A ~ 60.00 A	3.0 % + 5d
100 Hz ~ 400 Hz	
00.00 A ~ 20.00 A	2.0 % + 5d
20.00 A ~ 60.00 A	3.0 % + 5d

1) Napaka, ki jo povzroči sosednji vodnik, ki prenaša tok: < 0.06 A/A.

2) Podan z relativnim ničelnim Δ načinom, ki je uporabljen za odmik preostalih odčitkov različnih od nič, če so.

3) Dodaj 10 d podani točnosti @ < 4 A.

Regularen kleščni ACA

OBMOČJE	NDP ^{1) 2)}
40 Hz ~ 100 Hz	
60.00 A ³⁾ , 600.0 A, 1000 A ⁴⁾	1.8 % + 5d
100 Hz ~ 400 Hz	
60.00 A ³⁾ , 600.0 A, 1000 A ⁴⁾	2.2 % + 5d

1) Napaka, ki jo povzroči sosednji vodnik, ki prenaša tok: < 0.06 A/A.

2) Podana točnost velja za meritve izvedene v središču klešč. Kadar vodnik ni nastavljen v sredino klešč, dodaj 2 % k podani točnosti za napako zaradi lege vodnika.

3) Dodaj 10 d k podani točnosti @ < 6 A.

4) Najvišji vršni faktor < 1.4 : 1 pri polni skali & < 2.8 : 1 pri polovici skale.

Hz Frekvenca omrežni nivo

Funkcija	Občutljivost ¹⁾ (sinusna efektivna vrednost)	Območje
600 V, 1000 V	50 V	5.00 Hz ~ 999.9 Hz
60 A (AmpTip™)	40 A	40.00 Hz ~ 400.0 Hz
60 A, 600 A, 1000 A	40 A	40.00 Hz ~ 400.0 Hz

NDP: 1 % + 5d.

1) DC-prednapetost, če je, ne več kot 50 % efektivne vrednosti sinusa.

Zaznavanje EF brez dotika

Tipična napetost	Indikacija s črtnim prikazom
20 V (toleranca: 10 V ~ 36 V)	-
55 V (toleranca: 23 V ~ 83 V)	- -
110 V (toleranca: 59 V ~ 165 V)	- - -
220 V (toleranca: 124 V ~ 330 V)	- - - -
440 V (toleranca: 250 V ~ 1000 V)	- - - - -

Indikacija: segmenti črnega prikaza & piski sorazmerni s poljsko jakostjo.

Zaznavanje frekvence: 50/60 Hz.

Antena za zaznavanje: Znotraj zgornje strani statične čeljusti klešč.

Zaznavanje EF z dotikom tipalke: Za preciznejšo indikacijo žic pod napetostjo, kot je razločevanje med povezavo na napetost in zemljo, uporaba ene same tipalke za preizkus preko priključka COM za neposreden dotik zaznavanja EF z najboljšo občutljivostjo.

7 GARANCIJSKA IZJAVA

METREL garantira originalnemu naročniku izdelka, da je vsak izdelek, ki ga proizvede brez okvar v materialu in izdelavi pri normalni uporabi v obdobju enega leta od datuma nabave. METRELOva garancija se ne nanaša na pribore, varovalke, varovalne upore, iskrišča, varistorje, baterijo ali kateri koli drug izdelek, kateri je bil po METRELOvem mnenju nepravilno uporabljen, spremenjen, zanemarjen ali poškodovan po pomoti ali zaradi nenormalnih pogojev pri uporabi ali ravnanju.

Za pridobitev garancijskega servisa, se kontaktira najbližjega METRELOvega pooblaščenega zastopnika ali pošlje izdelek v METREL z dokazilom o nakupu in opisom težav, predplačano poštino in zavarovanjem. METREL ne prevzema nobenega tveganja za poškodbe pri transportu. METREL bo, po lastni presoji, brezplačno popravil ali zamenjal poškodovan izdelek. Vendar pa, če METREL ugotovi, da je bila okvara povzročena zaradi nepravilne uporabe, spremembe, zanemarjenosti ali poškodbe po pomoti ali zaradi nenormalnih pogojev pri uporabi ali ravnanju, vam bo zaračunal popravilo.

TA GARANCIJA JE IZKLJUČNA IN VELJA NAMESTO VSEH DRUGIH GARANCIJ, IZRAŽENE ALI PREDPISANE, VKLJUČNO TODA NE OMEJENO NA KATEROKOLI POGOJENO GARANCIJO ALI PRODAJO ALI PRIMERNOST ZA DOLOČEN NAMEN ALI UPORABO. METREL NE BO ODGOVOREN ZA NOBENO POSEBNO, NEPOSREDNO, NAKLJUČNO ALI POSLEDIČNO ŠKODO.

<http://www.metrel.si>



TISKANO NA RECIKLIRAN PAPIR, PROSIMO RECIKLIRATI

